



Chuděj s.r.o.



Catalogue  
2018



Miroslav Chuděj, founder



The company Miroslav Chuděj s.r.o. was established in 1990. At that time, the company was only active in the production of injection moulding tools. As time went by and the market developed, the activity scope was extended in 1992 to include the production of plastic brackets. In 1997, first designs appeared in the category of street and floor drains.

The company operates in two principal fields of production:

One of them is the development and production of plastic brackets to fasten and guide pipes made from plastic, copper and plastic-coated aluminium, brackets for floor heating, pipe trims, insulation clips.

The other is the development and production of drains for streets, floors and roofs, as well as linear floor drains. The whole product range can be used to suit your needs, both indoors and outdoors.

We deliver all our products to wholesale chains throughout the Czech Republic and Slovakia. We also export to the EU, other European countries, and outside Europe.

We are committed to the wish of the company founder, Miroslav Chuděj, carrying on with the work started, in terms of dexterity, honesty and diligence, as well as maintaining a persistent level of quality and sophistication to meet the demands of the craft.

We would like to wish all our customers a good year of success and satisfaction with our products, lasting for years to come.



*Miroslav Chuděj*



Company team 2018



Linear floor drain with side outlet D50



page 16/17 and 24/25

Linear floor drain with bottom outlet D40



page 12/13 and 20/21

Stainless steel linear floor drain with side outlet D50 and with plastic siphon



page 26/27

Bottom floor drain DN50 and DN75, with a plastic / stainless steel frame



page 42

Multi – inlet floor drain DN50 /DN75 with a plastic / stainless steel frame



page 53

Side floor trap DN50 – low, with a plastic / stainless steel frame



page 54

# TABLE OF CONTENTS

LINEAR FLOOR DRAINS . . . . .	9
STAINLESS STEEL LINEAR FLOOR DRAINS. . . . .	26
SPARE PARTS FOR LINEAR FLOOR DRAINS . . . . .	30
FLOOR DRAINS WITH NEPTUNE... . . . .	33
FLOOR DRAINS. . . . .	37
ADHESIVE WATERPROOFING MEMBRANES . . . . .	55
SPARE PARTS FOR FLOOR DRAINS ... . . . .	56
STREET DRAINS . . . . .	61
SPARE PARTS FOR STREET DRAINS .. . . .	76
ROOF DRAINS .. . . .	79
ACCESSORIES AND SPARE PARTS FOR ROOF DRAINS . . . . .	82
FOR TOP SKIRTING BOARD TRIMS . . . . .	85
PIPE CLAMPS ... . . . .	89
CONTACTS... . . . .	113

## KEY

---

Li	cast iron	L15	1500 kg, EN 1253
N	stainless steel	B125	12500 kg, EN 124
P	plastic	b	white
S	dry flap	z	locking screws
L	collar	s	grey
V	water-filled anti-odour protection	PR	flange
X	Neptune	B	side inlet
K3	300 kg, EN 1253		



# LINEAR FLOOR DRAINS

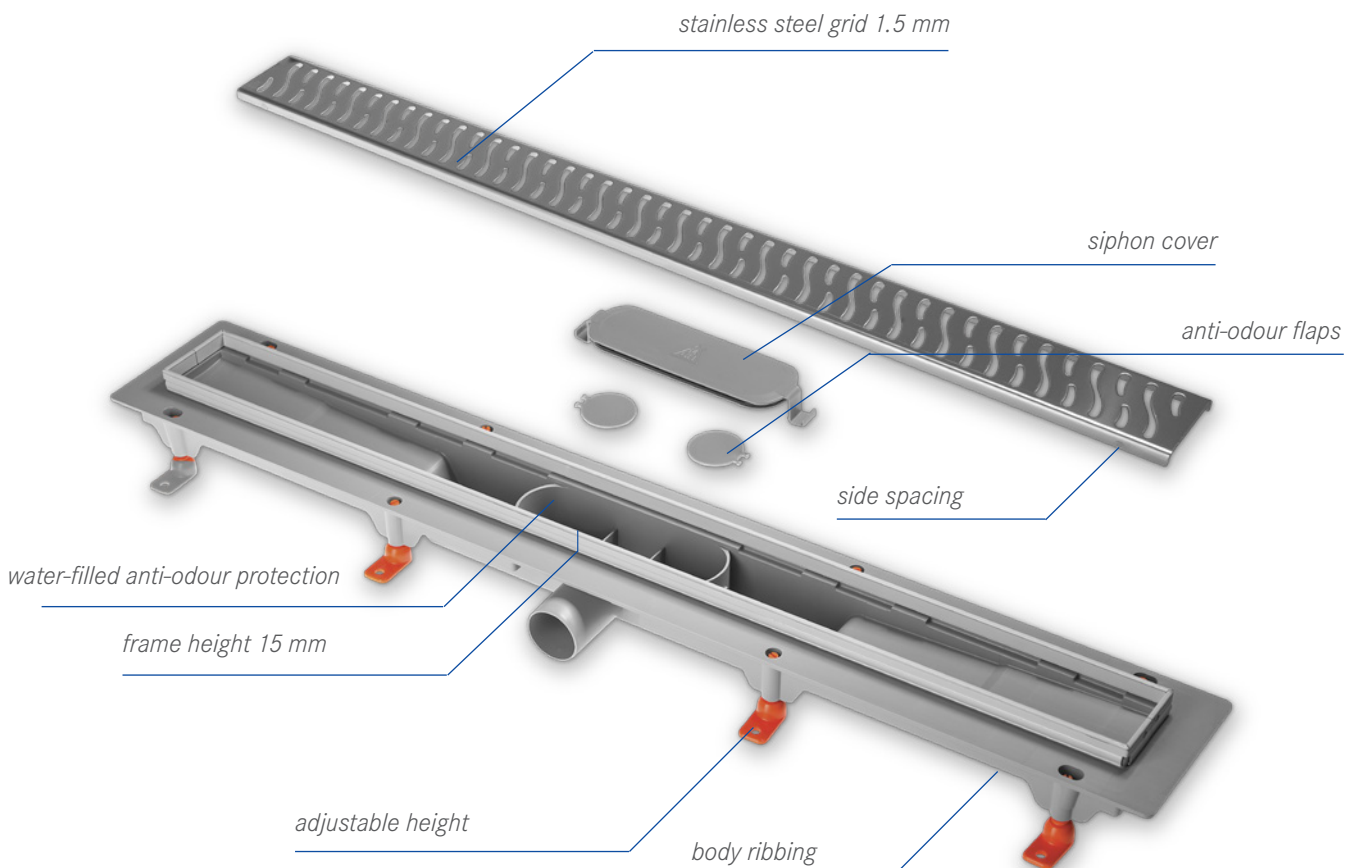


# Linear floor drains



No modern bathroom should lack the bathtub drain, compliant to EN 1253; thanks to its unique anti-odour design, low height, a wide range of timeless inox grids, it meets requirements of demanding clients and is the ideal solution for your bathroom.

The bottom part is made from polypropylene and PS, the drain frame and cover grid are made from stainless steel DIN 1.4301, allowing for a K3 load (up to 300 kg). The minimum design height is 65 mm, with the drain allowing for height adjustment. To connect to sewage pipes of Ø 40/50 mm. The package includes an adhesive waterproofing membrane, adjustable supports, plugs with a screw, a plastic key to remove the stainless steel grid, and the assembly instructions.



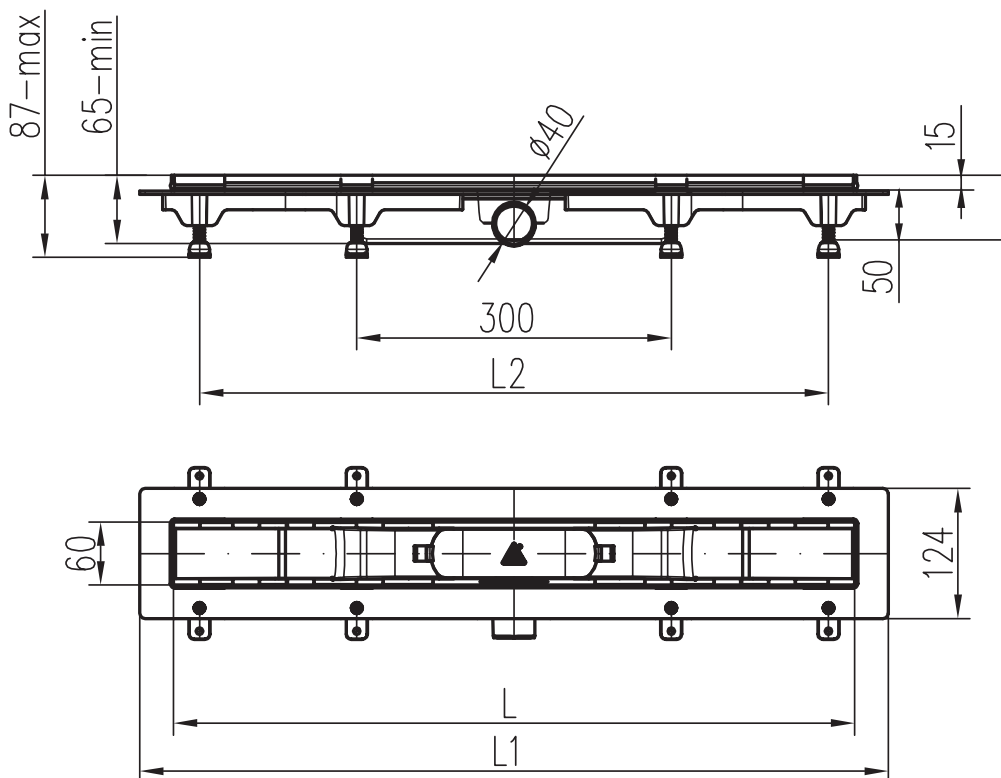
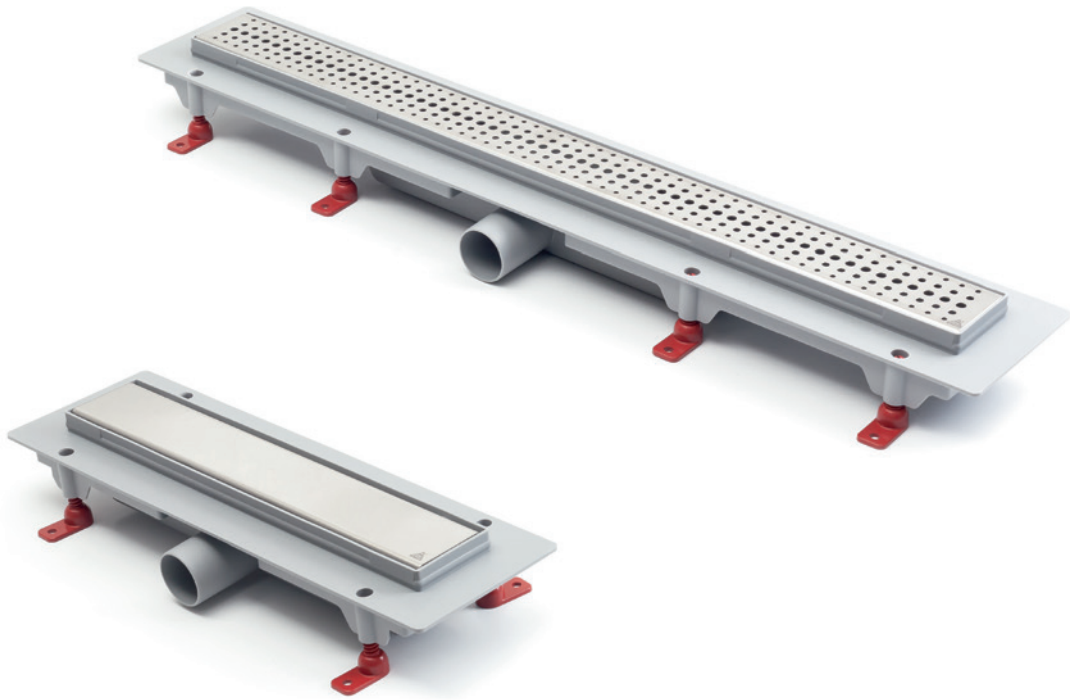
## BENEFITS

- low installation height 65 mm
- drain frame height 15 mm
- drain height adjustment between 65 and 102 mm
- flow rate of linear drain 40-68 l/min
- combined siphon: water level/dry flap
- load capacity K3 (300kg)
- stainless steel grid 1.5 mm, gloss / matte finish
- range dimensions 350, 450, 650, 750, 850, 950, 1050 mm
- versions open space / wall-facing
- easy dismantling when cleaning the trap
- damage resistance
- option with stainless steel frame

FLOW RATE  
40-43  
l/min

MIN. HEIGHT  
65  
mm

Linear floor drain  
with side outlet D40



Part number GLOSS	Part number MATTE	Dimension L [mm]	Dimension L1 [mm]	Dimension L2 [mm]	Weight [kg/pc]	Packaging [pcs/pallet]
----------------------	----------------------	---------------------	----------------------	----------------------	-------------------	---------------------------

## HARMONY

CH 350 H	CH 350 H 1	350	415	295	1,10	1/200
CH 450 H	CH 450 H 1	450	515	295	1,30	1/200
CH 650 H	CH 650 H 1	650	715	595	1,80	1/100
CH 750 H	CH 750 H 1	750	815	695	1,90	1/100
CH 850 H	CH 850 H 1	850	915	795	2,10	1/100



## SQUARE

CH 350 S	CH 350 S 1	350	415	295	1,10	1/200
CH 450 S	CH 450 S 1	450	515	295	1,30	1/200
CH 650 S	CH 650 S 1	650	715	595	1,80	1/100
CH 750 S	CH 750 S 1	750	815	695	1,90	1/100
CH 850 S	CH 850 S 1	850	915	795	2,10	1/100



## BASIC

CH 350 B	CH 350 B 1	350	415	295	1,10	1/200
CH 450 B	CH 450 B 1	450	515	295	1,30	1/200
CH 650 B	CH 650 B 1	650	715	595	1,80	1/100
CH 750 B	CH 750 B 1	750	815	695	1,90	1/100
CH 850 B	CH 850 B 1	850	915	795	2,10	1/100



## DROPS

CH 350 D	CH 350 D 1	350	415	295	1,10	1/200
CH 450 D	CH 450 D 1	450	515	295	1,30	1/200
CH 650 D	CH 650 D 1	650	715	595	1,80	1/100
CH 750 D	CH 750 D 1	750	815	695	1,90	1/100
CH 850 D	CH 850 D 1	850	915	795	2,10	1/100



## MEDIUM

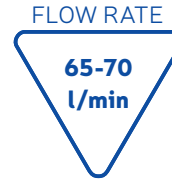
CH 350 M	CH 350 M 1	350	415	295	1,10	1/200
CH 450 M	CH 450 M 1	450	515	295	1,30	1/200
CH 650 M	CH 650 M 1	650	715	595	1,80	1/100
CH 750 M	CH 750 M 1	750	815	695	1,90	1/100
CH 850 M	CH 850 M 1	850	915	795	2,10	1/100



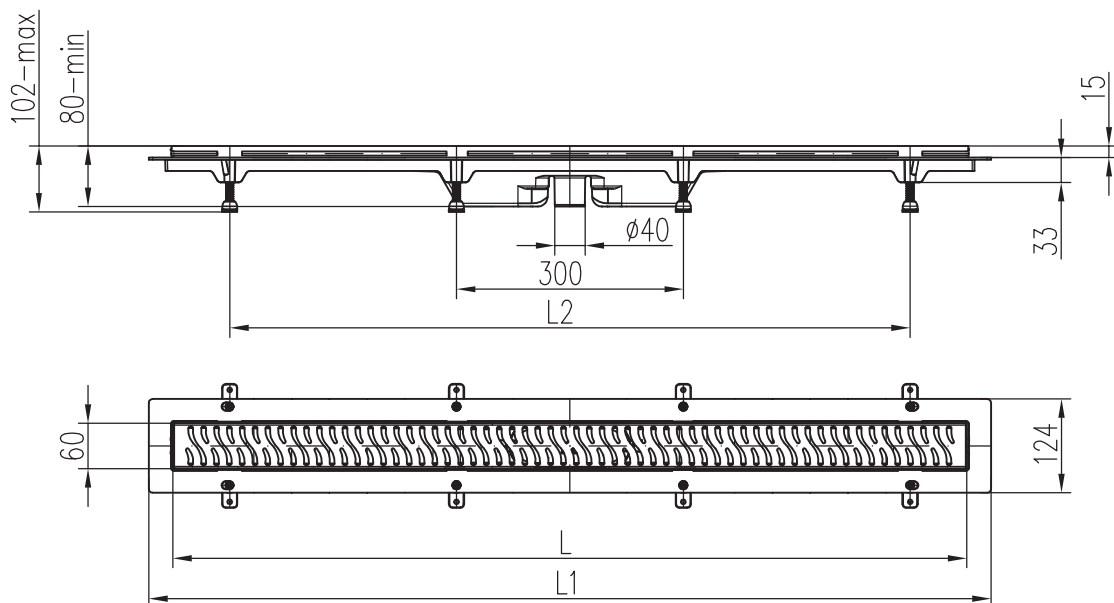
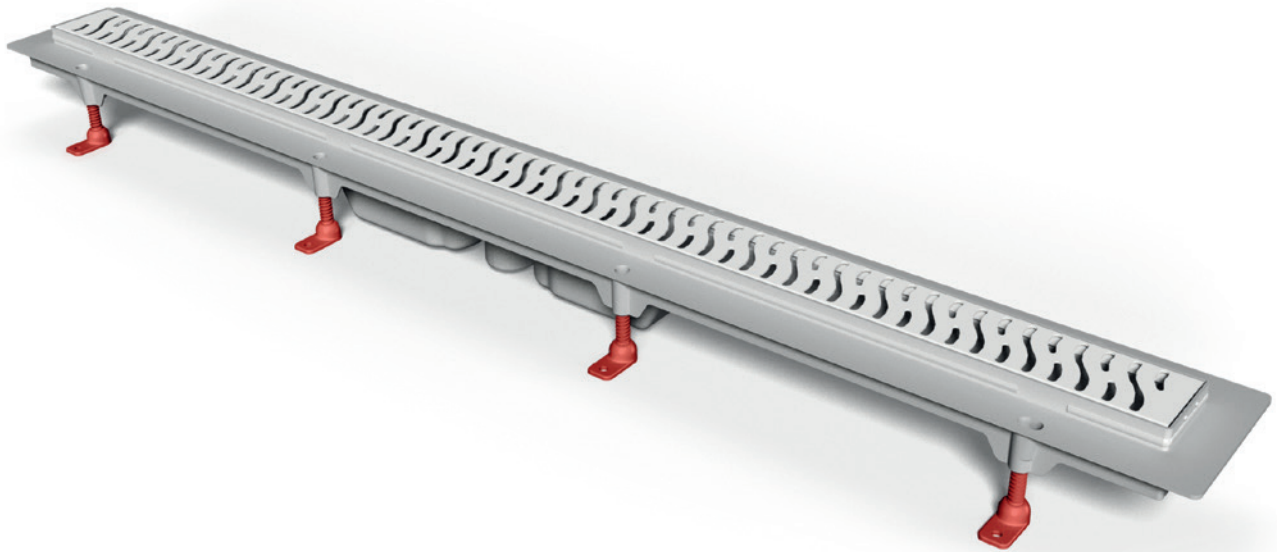
## KLASIK/FLOOR

CH 350 K	CH 350 K 1	350	415	295	1,10	1/200
CH 450 K	CH 450 K 1	450	515	295	1,30	1/200
CH 650 K	CH 650 K 1	650	715	595	1,80	1/100
CH 750 K	CH 750 K 1	750	815	695	1,90	1/100
CH 850 K	CH 850 K 1	850	915	795	2,10	1/100





Linear floor drain  
with bottom outlet D40



Part number GLOSS	Part number MATTE	Dimension L [mm]	Dimension L1 [mm]	Dimension L2 [mm]	Weight [kg/pc]	Packaging [pcs/pallet]
----------------------	----------------------	---------------------	----------------------	----------------------	-------------------	---------------------------

## HARMONY

CH 650/S40 H	CH 650/S40 H 1	650	715	595	1,80	1/100
CH 750/S40 H	CH 750/S40 H 1	750	815	695	1,90	1/100
CH 850/S40 H	CH 850/S40 H 1	850	915	795	2,10	1/100
CH 950/S40 H	CH 950/S40 H 1	950	1015	895	2,20	1/100
CH 1050/S40 H	CH 1050/S40 H 1	1050	1115	995	2,40	1/100



## SQUARE

CH 650/S40 S	CH 650/S40 S 1	650	715	595	1,80	1/100
CH 750/S40 S	CH 750/S40 S 1	750	815	695	1,90	1/100
CH 850/S40 S	CH 850/S40 S 1	850	915	795	2,10	1/100
CH 950/S40 S	CH 950/S40 S 1	950	1015	895	2,20	1/100
CH 1050/S40 S	CH 1050/S40 S 1	1050	1115	995	2,40	1/100



## BASIC

CH 650/S40 B	CH 650/S40 B 1	650	715	595	1,80	1/100
CH 750/S40 B	CH 750/S40 B 1	750	815	695	1,90	1/100
CH 850/S40 B	CH 850/S40 B 1	850	915	795	2,10	1/100
CH 950/S40 B	CH 950/S40 B 1	950	1015	895	2,20	1/100
CH 1050/S40 B	CH 1050/S40 B 1	1050	1115	995	2,40	1/100



## DROPS

CH 650/S40 D	CH 650/S40 D 1	650	715	595	1,80	1/100
CH 750/S40 D	CH 750/S40 D 1	750	815	695	1,90	1/100
CH 850/S40 D	CH 850/S40 D 1	850	915	795	2,10	1/100
CH 950/S40 D	CH 950/S40 D 1	950	1015	895	2,20	1/100
CH 1050/S40 D	CH 1050/S40 D 1	1050	1115	995	2,40	1/100



## MEDIUM

CH 650/S40 M	CH 650/S40 M 1	650	715	595	1,80	1/100
CH 750/S40 M	CH 750/S40 M 1	750	815	695	1,90	1/100
CH 850/S40 M	CH 850/S40 M 1	850	915	795	2,10	1/100
CH 950/S40 M	CH 950/S40 M 1	950	1015	895	2,20	1/100
CH 1050/S40 M	CH 1050/S40 M 1	1050	1115	995	2,40	1/100



## KLASIK/FLOOR

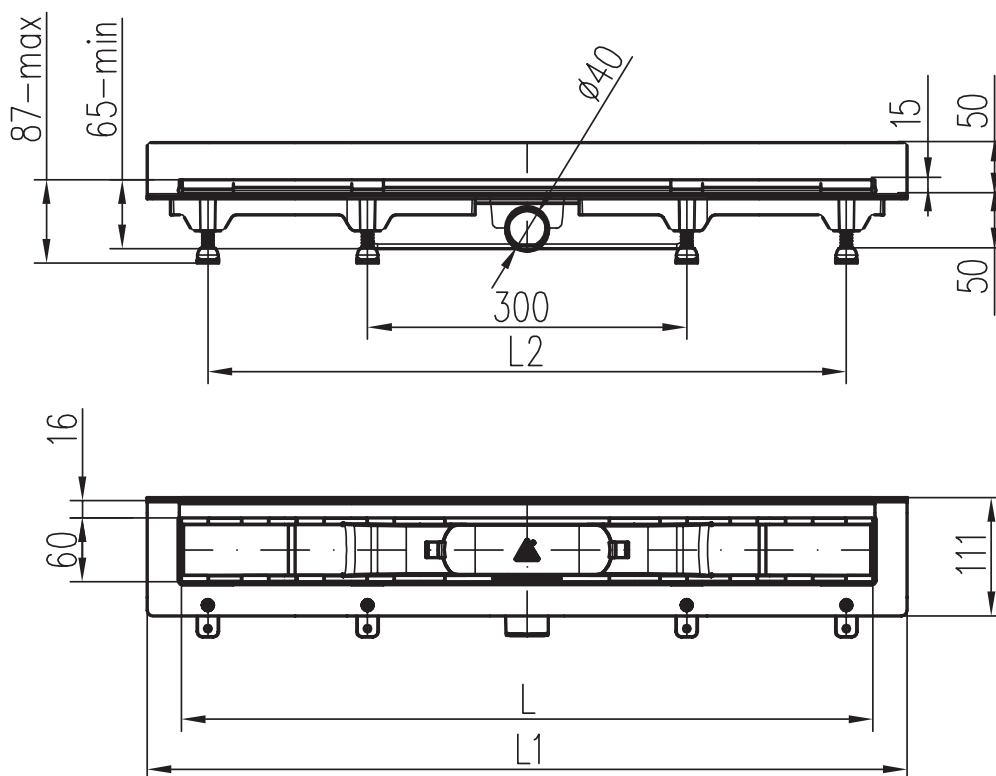
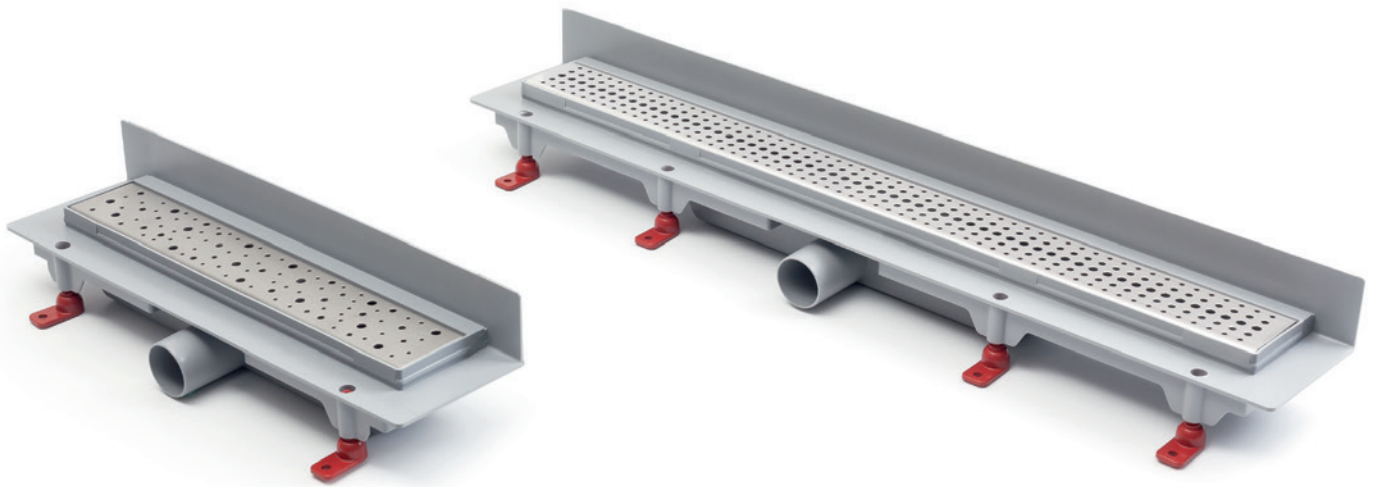
CH 650/S40 K	CH 650/S40 K 1	650	715	595	1,80	1/100
CH 750/S40 K	CH 750/S40 K 1	750	815	695	1,90	1/100
CH 850/S40 K	CH 850/S40 K 1	850	915	795	2,10	1/100
CH 950/S40 K	CH 950/S40 K 1	950	1015	895	2,20	1/100
CH 1050/S40 K	CH 1050/S40 K 1	1050	1115	995	2,40	1/100



FLOW RATE  
40-43  
l/min

MIN. HEIGHT  
65  
mm

Linear floor drain to the wall  
with side outlet D40



Part number GLOSS	Part number MATTE	Dimension L [mm]	Dimension L1 [mm]	Dimension L2 [mm]	Weight [kg/pc]	Packaging [pcs/pallet]
----------------------	----------------------	---------------------	----------------------	----------------------	-------------------	---------------------------

## HARMONY

CH 350 H 2	CH 350 H 3	350	415	295	1,20	1/200
CH 450 H 2	CH 450 H 3	450	515	295	1,40	1/200
CH 650 H 2	CH 650 H 3	650	715	595	1,90	1/100
CH 750 H 2	CH 750 H 3	750	815	695	2,00	1/100
CH 850 H 2	CH 850 H 3	850	915	795	2,30	1/100



## SQUARE

CH 350 S 2	CH 350 S 3	350	415	295	1,20	1/200
CH 450 S 2	CH 450 S 3	450	515	295	1,40	1/200
CH 650 S 2	CH 650 S 3	650	715	595	1,90	1/100
CH 750 S 2	CH 750 S 3	750	815	695	2,00	1/100
CH 850 S 2	CH 850 S 3	850	915	795	2,30	1/100



## BASIC

CH 350 B 2	CH 350 B 3	350	415	295	1,20	1/200
CH 450 B 2	CH 450 B 3	450	515	295	1,40	1/200
CH 650 B 2	CH 650 B 3	650	715	595	1,90	1/100
CH 750 B 2	CH 750 B 3	750	815	695	2,00	1/100
CH 850 B 2	CH 850 B 3	850	915	795	2,30	1/100



## DROPS

CH 350 D 2	CH 350 D 3	350	415	295	1,20	1/200
CH 450 D 2	CH 450 D 3	450	515	295	1,40	1/200
CH 650 D 2	CH 650 D 3	650	715	595	1,90	1/100
CH 750 D 2	CH 750 D 3	750	815	695	2,00	1/100
CH 850 D 2	CH 850 D 3	850	915	795	2,30	1/100



## MEDIUM

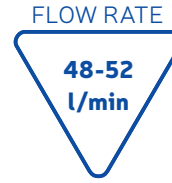
CH 350 M 2	CH 350 M 3	350	415	295	1,20	1/200
CH 450 M 2	CH 450 M 3	450	515	295	1,40	1/200
CH 650 M 2	CH 650 M 3	650	715	595	1,90	1/100
CH 750 M 2	CH 750 M 3	750	815	695	2,00	1/100
CH 850 M 2	CH 850 M 3	850	915	795	2,30	1/100



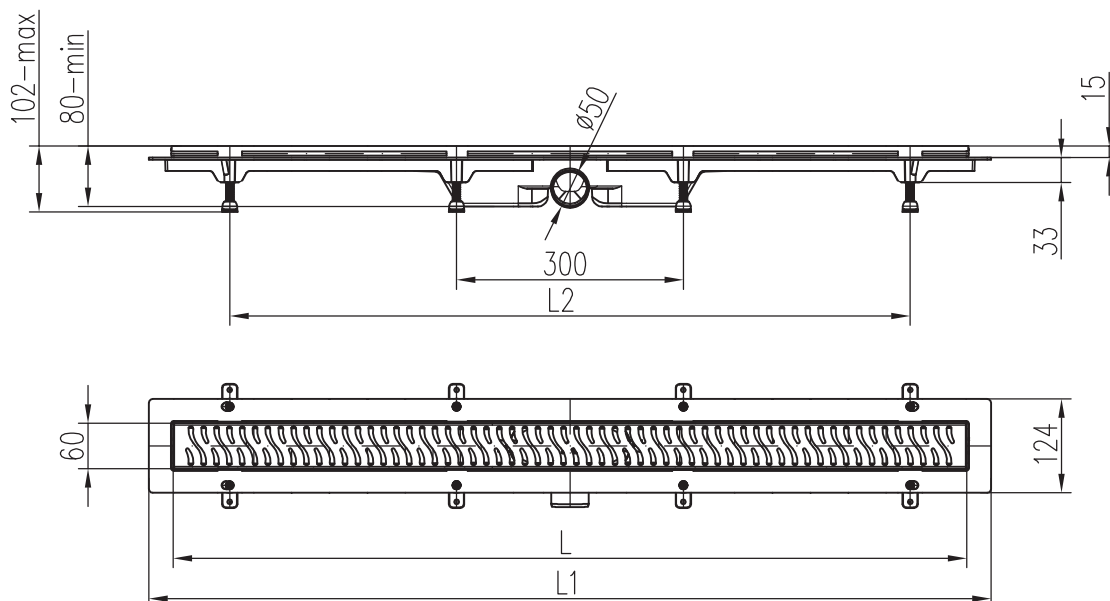
## KLASIK/FLOOR

CH 350 K 2	CH 350 K 3	350	415	295	1,20	1/200
CH 450 K 2	CH 450 K 3	450	515	295	1,40	1/200
CH 650 K 2	CH 650 K 3	650	715	595	1,90	1/100
CH 750 K 2	CH 750 K 3	750	815	695	2,00	1/100
CH 850 K 2	CH 850 K 3	850	915	795	2,30	1/100





## Linear floor drain with side outlet D50





Part number GLOSS	Part number MATTE	Dimension L [mm]	Dimension L1 [mm]	Dimension L2 [mm]	Weight [kg/pc]	Packaging [pcs/pallet]
----------------------	----------------------	---------------------	----------------------	----------------------	-------------------	---------------------------

## HARMONY

CH 650/50 H	CH 650/50 H 1	650	715	595	1,80	1/100
CH 750/50 H	CH 750/50 H 1	750	815	695	1,90	1/100
CH 850/50 H	CH 850/50 H 1	850	915	795	2,10	1/100
CH 950/50 H	CH 950/50 H 1	950	1015	895	2,20	1/100
CH 1050/50 H	CH 1050/50 H 1	1050	1115	995	2,40	1/100



## SQUARE

CH 650/50 S	CH 650/50 S 1	650	715	595	1,80	1/100
CH 750/50 S	CH 750/50 S 1	750	815	695	1,90	1/100
CH 850/50 S	CH 850/50 S 1	850	915	795	2,10	1/100
CH 950/50 S	CH 950/50 S 1	950	1015	895	2,20	1/100
CH 1050/50 S	CH 1050/50 S 1	1050	1115	995	2,40	1/100



## BASIC

CH 650/50 B	CH 650/50 B 1	350	715	595	1,80	1/100
CH 750/50 B	CH 750/50 B 1	450	815	695	1,90	1/100
CH 850/50 B	CH 850/50 B 1	650	915	795	2,10	1/100
CH 950/50 B	CH 950/50 B 1	750	1015	895	2,20	1/100
CH 1050/50 B	CH 1050/50 B 1	1050	1115	995	2,40	1/100



## DROPS

CH 650/50 D	CH 650/50 D 1	650	715	595	1,80	1/100
CH 750/50 D	CH 750/50 D 1	750	815	695	1,90	1/100
CH 850/50 D	CH 850/50 D 1	850	915	795	2,10	1/100
CH 950/50 D	CH 950/50 D 1	950	1015	895	2,20	1/100
CH 1050/50 D	CH 1050/50 D 1	1050	1115	995	2,40	1/100



## MEDIUM

CH 650/50 M	CH 650/50 M 1	650	715	595	1,80	1/100
CH 750/50 M	CH 750/50 M 1	750	815	695	1,90	1/100
CH 850/50 M	CH 850/50 M 1	850	915	795	2,10	1/100
CH 950/50 M	CH 950/50 M 1	950	1015	895	2,20	1/100
CH 1050/50 M	CH 1050/50 M 1	1050	1115	995	2,40	1/100



## KLASIK/FLOOR

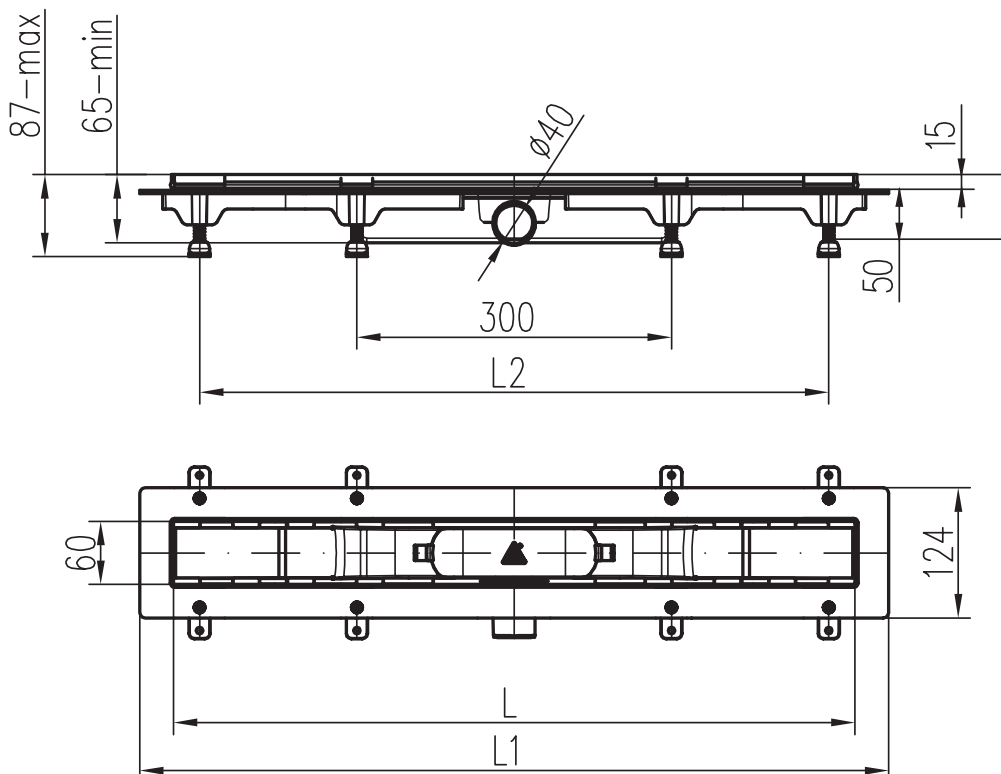
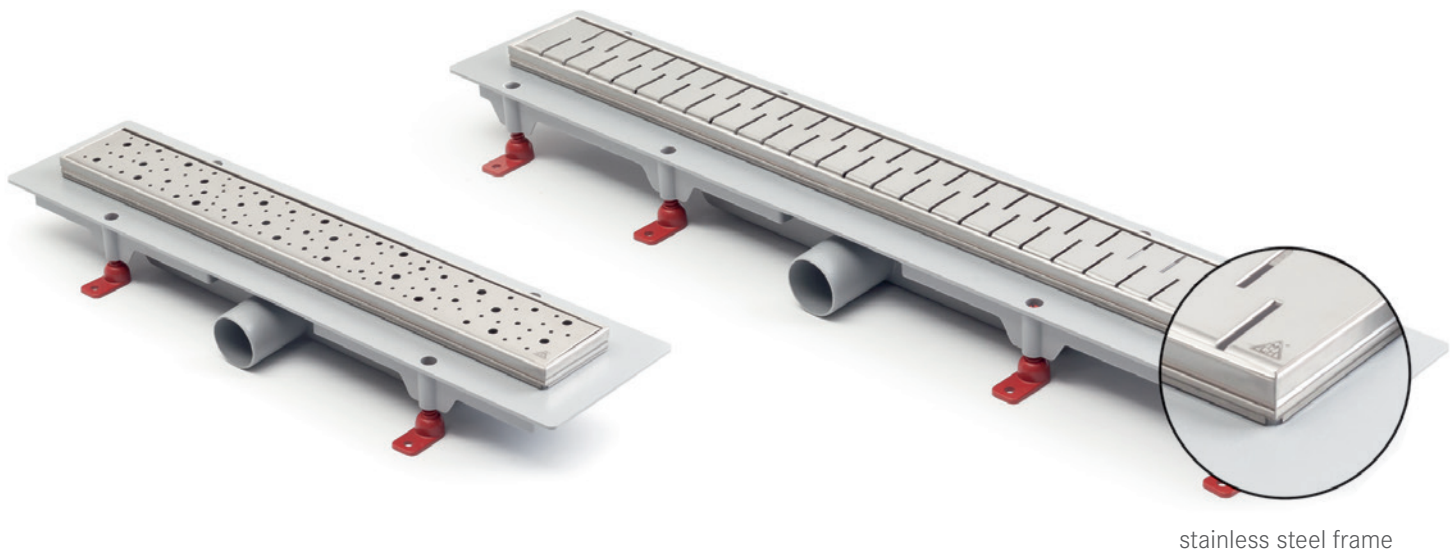
CH 650/50 K	CH 650/50 K 1	650	715	595	1,80	1/100
CH 750/50 K	CH 750/50 K 1	750	815	695	1,90	1/100
CH 850/50 K	CH 850/50 K 1	850	915	795	2,10	1/100
CH 950/50 K	CH 950/50 K 1	950	1015	895	2,20	1/100
CH 1050/50 K	CH 1050/50 K 1	1050	1115	995	2,40	1/100



FLOW RATE  
40-43  
l/min

MIN. HEIGHT  
65  
mm

Linear floor drain  
with stainless steel frame, side outlet D40



Part number GLOSS	Part number MATTE	Dimension L [mm]	Dimension L1 [mm]	Dimension L2 [mm]	Weight [kg/pc]	Packaging [pcs/pallet]
----------------------	----------------------	---------------------	----------------------	----------------------	-------------------	---------------------------

## HARMONY

CH 350 HN	CH 350 HN 1	350	415	295	1,70	1/ 200
CH 450 HN	CH 450 HN 1	450	515	295	1,80	1/200
CH 650 HN	CH 650 HN 1	650	715	595	2,10	1/100
CH 750 HN	CH 750 HN 1	750	815	695	2,20	1/100
CH 850 HN	CH 850 HN 1	850	915	795	2,30	1/100



## SQUARE

CH 350 SN	CH 350 SN 1	350	415	295	1,70	1/200
CH 450 SN	CH 450 SN 1	450	515	295	1,80	1/200
CH 650 SN	CH 650 SN 1	650	715	595	2,10	1/100
CH 750 SN	CH 750 SN 1	750	815	695	2,20	1/100
CH 850 SN	CH 850 SN 1	850	915	795	2,30	1/100



## BASIC

CH 350 BN	CH 350 BN 1	350	415	295	1,70	1/200
CH 450 BN	CH 450 BN 1	450	515	295	1,80	1/200
CH 650 BN	CH 650 BN 1	650	715	595	2,10	1/100
CH 750 BN	CH 750 BN 1	750	815	695	2,20	1/100
CH 850 BN	CH 850 BN 1	850	915	795	2,30	1/100



## DROPS

CH 350 DN	CH 350 DN 1	350	415	295	1,70	1/200
CH 450 DN	CH 450 DN 1	450	515	295	1,80	1/200
CH 650 DN	CH 650 DN 1	650	715	595	2,10	1/100
CH 750 DN	CH 750 DN 1	750	815	695	2,20	1/100
CH 850 DN	CH 850 DN 1	850	915	795	2,30	1/100



## MEDIUM

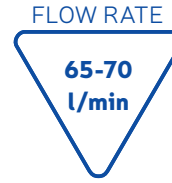
CH 350 MN	CH 350 MN 1	350	415	295	1,70	1/200
CH 450 MN	CH 450 MN 1	450	515	295	1,80	1/200
CH 650 MN	CH 650 MN 1	650	715	595	2,10	1/100
CH 750 MN	CH 750 MN 1	750	815	695	2,20	1/100
CH 850 MN	CH 850 MN 1	850	915	795	2,30	1/100



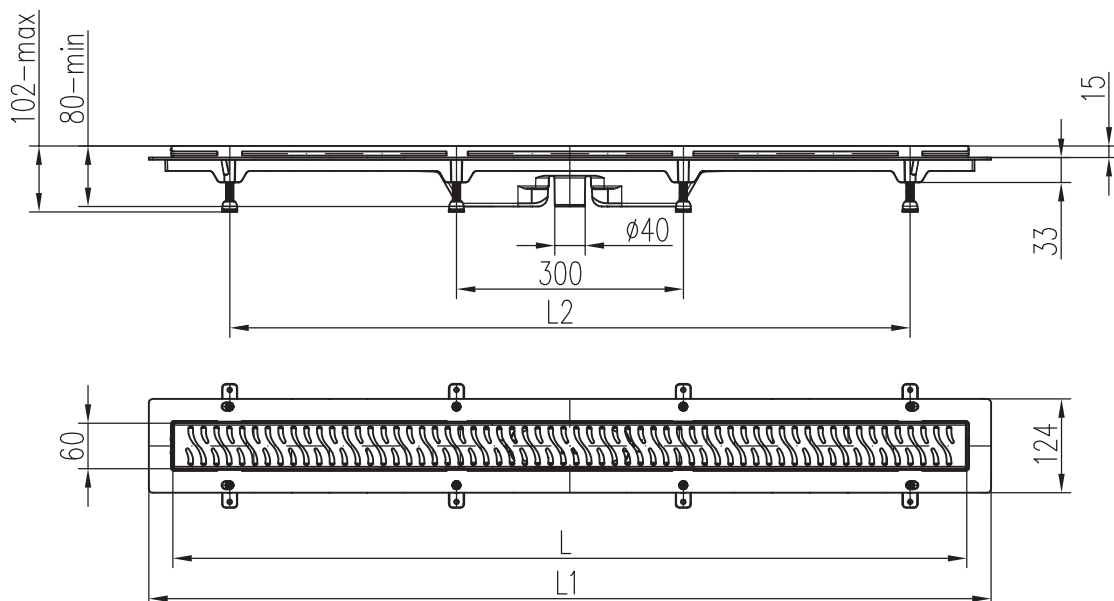
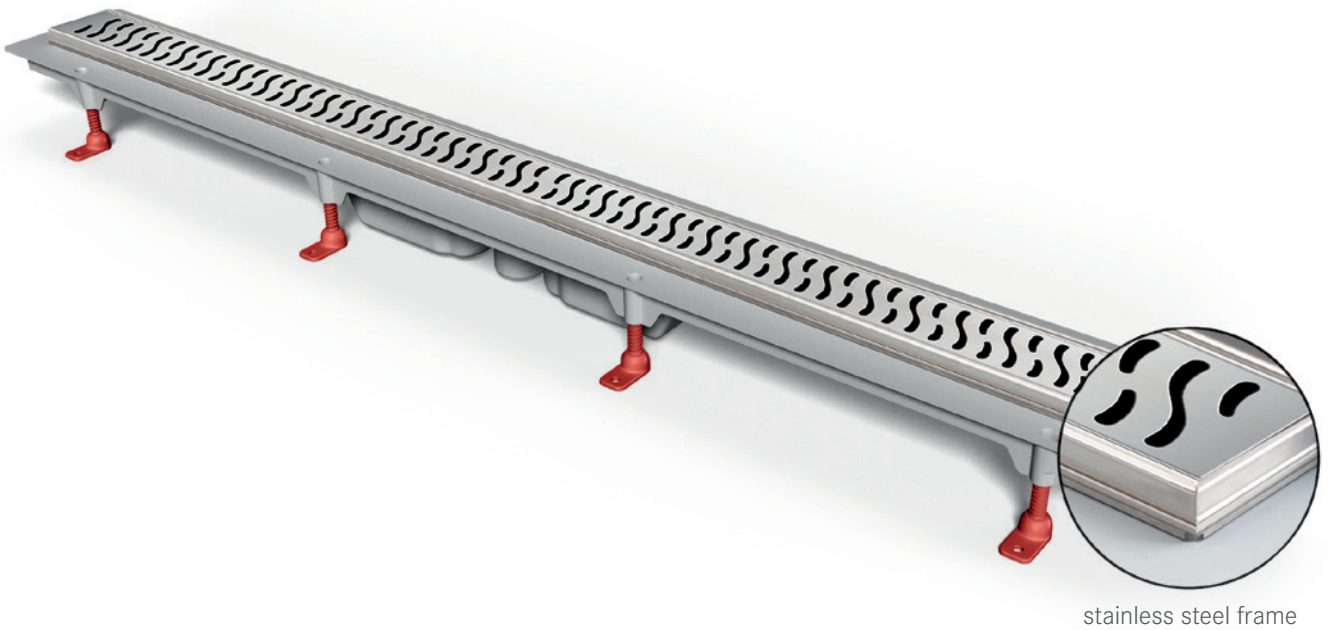
## KLASIK/FLOOR

CH 350 KN	CH 350 KN 1	350	415	295	1,70	1/200
CH 450 KN	CH 450 KN 1	450	515	295	1,80	1/200
CH 650 KN	CH 650 KN 1	650	715	595	2,10	1/100
CH 750 KN	CH 750 KN 1	750	815	695	2,20	1/100
CH 850 KN	CH 850 KN 1	850	915	795	2,30	1/100





Linear floor drain  
with stainless steel frame, bottom outlet D40



Part number GLOSS	Part number MATTE	Dimension L [mm]	Dimension L1 [mm]	Dimension L2 [mm]	Weight [kg/pc]	Packaging [pcs/pallet]
----------------------	----------------------	---------------------	----------------------	----------------------	-------------------	---------------------------

## HARMONY

CH 650/S40 HN	CH 650/S40 HN 1	650	715	595	1,80	1/100
CH 750/S40 HN	CH 750/S40 HN 1	750	815	695	1,90	1/100
CH 850/S40 HN	CH 850/S40 HN 1	850	915	795	2,10	1/100
CH 950/S40 HN	CH 950/S40 HN 1	950	1015	895	2,20	1/100
CH 1050/S40 HN	CH 1050/S40 HN 1	1050	1115	995	2,40	1/100



## SQUARE

CH 650/S40 SN	CH 650/S40 SN 1	650	715	595	1,80	1/100
CH 750/S40 SN	CH 750/S40 SN 1	750	815	695	1,90	1/100
CH 850/S40 SN	CH 850/S40 SN 1	850	915	795	2,10	1/100
CH 950/S40 SN	CH 950/S40 SN 1	950	1015	895	2,20	1/100
CH 1050/S40 SN	CH 1050/S40 SN 1	1050	1115	995	2,40	1/100



## BASIC

CH 650/S40 BN	CH 650/S40 BN 1	650	715	595	1,80	1/100
CH 750/S40 BN	CH 750/S40 BN 1	750	815	695	1,90	1/100
CH 850/S40 BN	CH 850/S40 BN 1	850	915	795	2,10	1/100
CH 950/S40 BN	CH 950/S40 BN 1	950	1015	895	2,20	1/100
CH 1050/S40 BN	CH 1050/S40 BN 1	1050	1115	995	2,40	1/100



## DROPS

CH 650/S40 DN	CH 650/S40 DN 1	650	715	595	1,80	1/100
CH 750/S40 DN	CH 750/S40 DN 1	750	815	695	1,90	1/100
CH 850/S40 DN	CH 850/S40 DN 1	850	915	795	2,10	1/100
CH 950/S40 DN	CH 950/S40 DN 1	950	1015	895	2,20	1/100
CH 1050/S40 DN	CH 1050/S40 DN 1	1050	1115	995	2,40	1/100



## MEDIUM

CH 650/S40 MN	CH 650/S40 MN 1	650	715	595	1,80	1/100
CH 750/S40 MN	CH 750/S40 MN 1	750	815	695	1,90	1/100
CH 850/S40 MN	CH 850/S40 MN 1	850	915	795	2,10	1/100
CH 950/S40 MN	CH 950/S40 MN 1	950	1015	895	2,20	1/100
CH 1050/S40 MN	CH 1050/S40 MN 1	1050	1115	995	2,40	1/100



## KLASIK/FLOOR

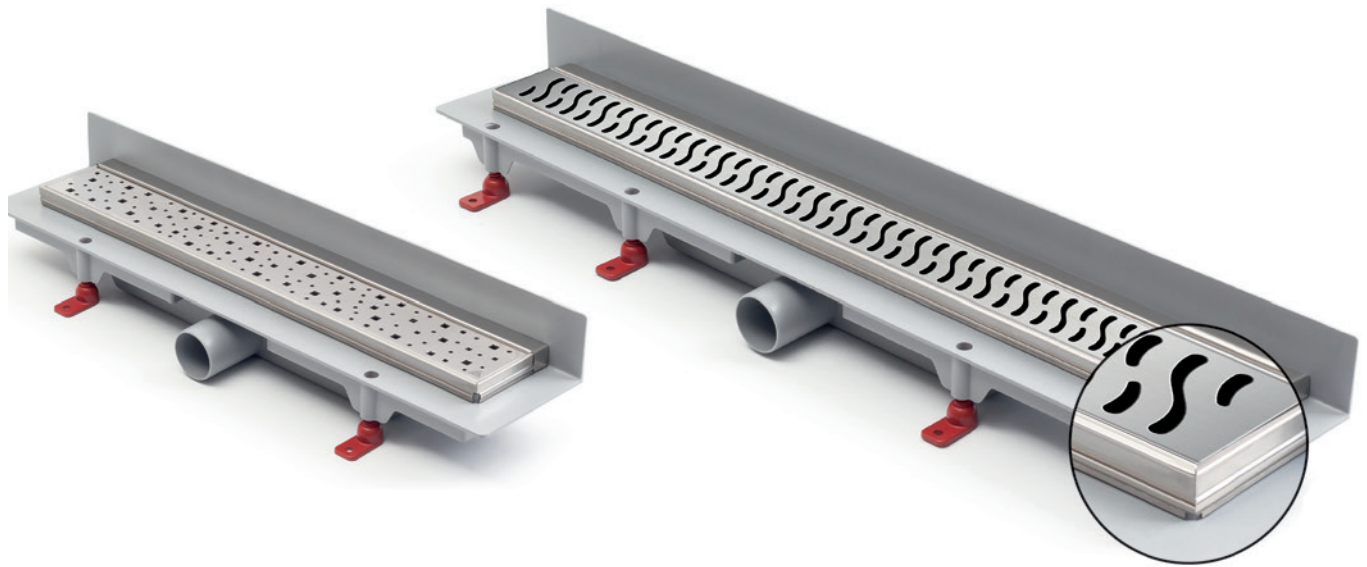
CH 650/S40 KN	CH 650/S40 KN 1	650	715	595	1,80	1/100
CH 750/S40 KN	CH 750/S40 KN 1	750	815	695	1,90	1/100
CH 850/S40 KN	CH 850/S40 KN 1	850	915	795	2,10	1/100
CH 950/S40 KN	CH 950/S40 KN 1	950	1015	895	2,20	1/100
CH 1050/S40 KN	CH 1050/S40 KN 1	1050	1115	995	2,40	1/100



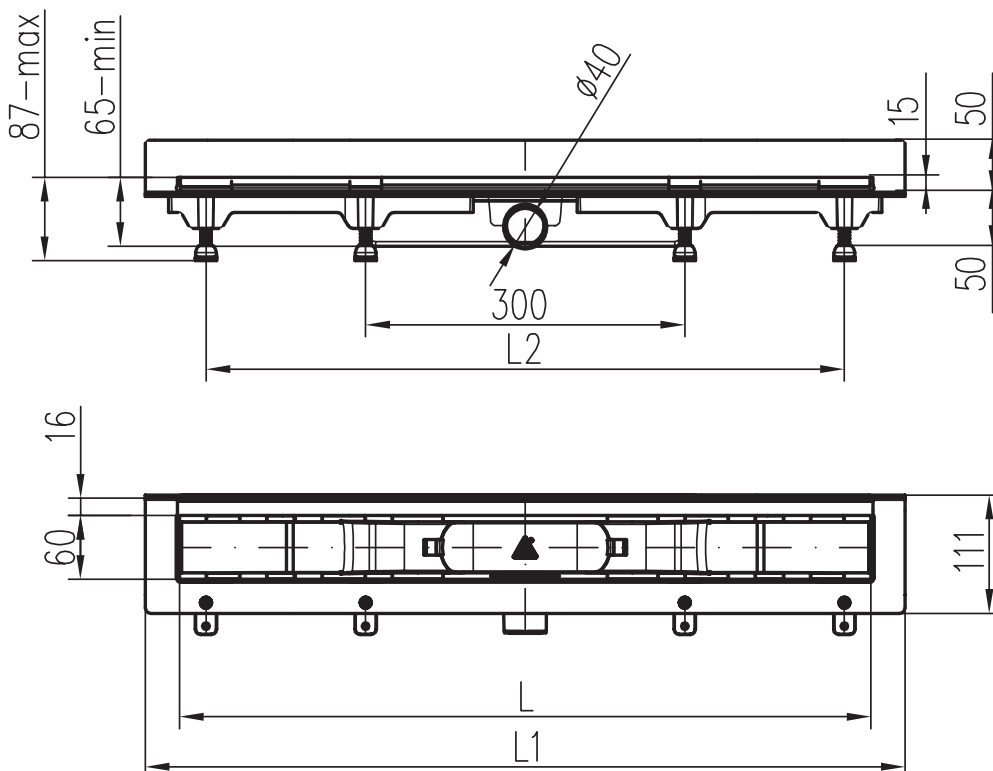
FLOW RATE  
40-43  
l/min

MIN. HEIGHT  
65  
mm

Linear floor drain to the wall  
with stainless steel frame, side outlet D40



stainless steel frame



Part number GLOSS	Part number MATTE	DimensionL [mm]	DimensionL1 [mm]	DimensionL2 [mm]	Weight [kg/pc]	Packaging [pcs/pallet]
----------------------	----------------------	--------------------	---------------------	---------------------	-------------------	---------------------------

## HARMONY

CH 350 HN 2	CH 350 HN 3	350	415	295	1,70	1/200
CH 450 HN 2	CH 450 HN 3	450	515	295	1,80	1/200
CH 650 HN 2	CH 650 HN 3	650	715	595	2,10	1/100
CH 750 HN 2	CH 750 HN 3	750	815	695	2,20	1/100
CH 850 HN 2	CH 850 HN 3	850	915	795	2,30	1/100



## SQUARE

CH 350 SN 2	CH 350 SN 3	350	415	295	1,70	1/200
CH 450 SN 2	CH 450 SN 3	450	515	295	1,80	1/200
CH 650 SN 2	CH 650 SN 3	650	715	595	2,10	1/100
CH 750 SN 2	CH 750 SN 3	750	815	695	2,20	1/100
CH 850 SN 2	CH 850 SN 3	850	915	795	2,30	1/100



## BASIC

CH 350 BN 2	CH 350 BN 3	350	415	295	1,70	1/200
CH 450 BN 2	CH 450 BN 3	450	515	295	1,80	1/200
CH 650 BN 2	CH 650 BN 3	650	715	595	2,10	1/100
CH 750 BN 2	CH 750 BN 3	750	815	695	2,20	1/100
CH 850 BN 2	CH 850 BN 3	850	915	795	2,30	1/100



## DROPS

CH 350 DN 2	CH 350 DN 3	350	415	295	1,70	1/200
CH 450 DN 2	CH 450 DN 3	450	515	295	1,80	1/200
CH 650 DN 2	CH 650 DN 3	650	715	595	2,10	1/100
CH 750 DN 2	CH 750 DN 3	750	815	695	2,20	1/100
CH 850 DN 2	CH 850 DN 3	850	915	795	2,30	1/100



## MEDIUM

CH 350 MN 2	CH 350 MN 3	350	415	295	1,70	1/200
CH 450 MN 2	CH 450 MN 3	450	515	295	1,80	1/200
CH 650 MN 2	CH 650 MN 3	650	715	595	2,10	1/100
CH 750 MN 2	CH 750 MN 3	750	815	695	2,20	1/100
CH 850 MN 2	CH 850 MN 3	850	915	795	2,30	1/100



## KLASIK/FLOOR

CH 350 KN 2	CH 350 KN 3	350	415	295	1,70	1/200
CH 450 KN 2	CH 450 KN 3	450	515	295	1,80	1/200
CH 650 KN 2	CH 650 KN 3	650	715	595	2,10	1/100
CH 750 KN 2	CH 750 KN 3	750	815	695	2,20	1/100
CH 850 KN 2	CH 850 KN 3	850	915	795	2,30	1/100

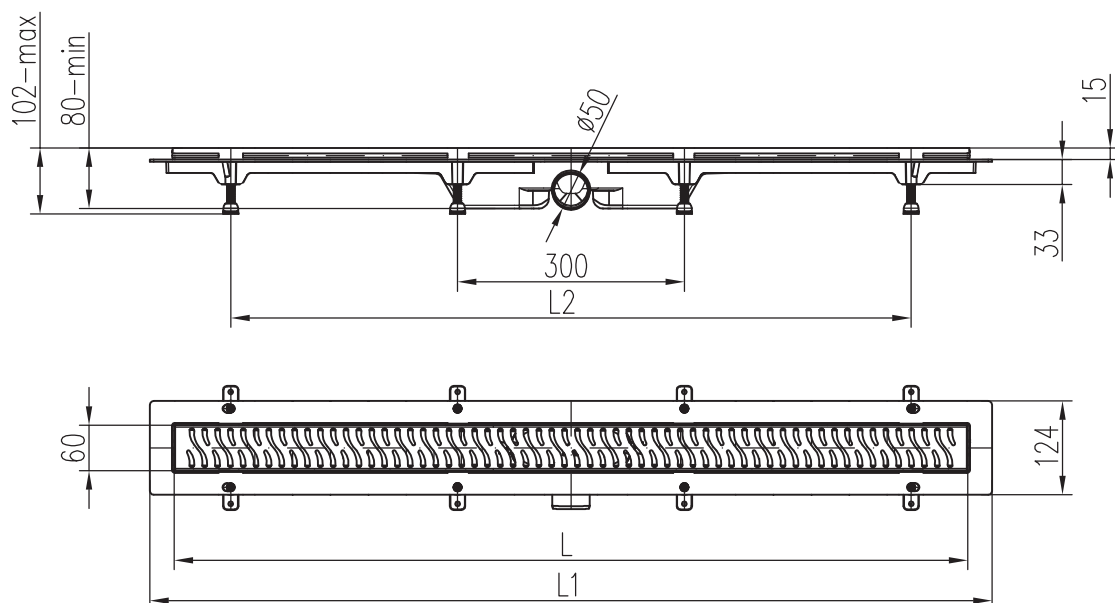


NEW

FLOW RATE  
48-52  
l/min

MIN. HEIGHT  
80  
mm

Linear floor drain with stainless steel frame, side outlet D50





Part number GLOSS	Part number MATTE	Dimension L [mm]	Dimension L1 [mm]	Dimension L2 [mm]	Weight [kg/pc]	Packaging [pcs/pallet]
----------------------	----------------------	---------------------	----------------------	----------------------	-------------------	---------------------------

## HARMONY

CH 650/50 HN	CH 650/50 HN 1	650	715	595	1,80	1/100
CH 750/50 HN	CH 750/50 HN 1	750	815	695	1,90	1/100
CH 850/50 HN	CH 850/50 HN 1	850	915	795	2,10	1/100
CH 950/50 HN	CH 950/50 HN 1	950	1015	895	2,20	1/100
CH 1050/50 HN	CH 1050/50 HN 1	1050	1115	995	2,40	1/100



## SQUARE

CH 650/50 SN	CH 650/50 SN 1	650	715	595	1,80	1/100
CH 750/50 SN	CH 750/50 SN 1	750	815	695	1,90	1/100
CH 850/50 SN	CH 850/50 SN 1	850	915	795	2,10	1/100
CH 950/50 SN	CH 950/50 SN 1	950	1015	895	2,20	1/100
CH 1050/50 SN	CH 1050/50 SN 1	1050	1115	995	2,40	1/100



## BASIC

CH 650/50 BN	CH 650/50 BN 1	650	715	595	1,80	1/100
CH 750/50 BN	CH 750/50 BN 1	750	815	695	1,90	1/100
CH 850/50 BN	CH 850/50 BN 1	850	915	795	2,10	1/100
CH 950/50 BN	CH 950/50 BN 1	950	1015	895	2,20	1/100
CH 1050/50 BN	CH 1050/50 BN 1	1050	1115	995	2,40	1/100



## DROPS

CH 650/50 DN	CH 650/50 DN 1	650	715	595	1,80	1/100
CH 750/50 DN	CH 750/50 DN 1	750	815	695	1,90	1/100
CH 850/50 DN	CH 850/50 DN 1	850	915	795	2,10	1/100
CH 950/50 DN	CH 950/50 DN 1	950	1015	895	2,20	1/100
CH 1050/50 DN	CH 1050/50 DN 1	1050	1115	995	2,40	1/100



## MEDIUM

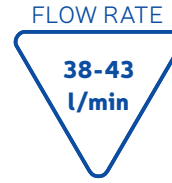
CH 650/50 MN	CH 650/50 MN 1	650	715	595	1,80	1/100
CH 750/50 MN	CH 750/50 MN 1	750	815	695	1,90	1/100
CH 850/50 MN	CH 850/50 MN 1	850	915	795	2,10	1/100
CH 950/50 MN	CH 950/50 MN 1	950	1015	895	2,20	1/100
CH 1050/50 MN	CH 1050/50 MN 1	1050	1115	995	2,40	1/100



## KLASIK/FLOOR

CH 650/50 KN	CH 650/50 KN 1	650	715	595	1,80	1/100
CH 750/50 KN	CH 750/50 KN 1	750	815	695	1,90	1/100
CH 850/50 KN	CH 850/50 KN 1	850	915	795	2,10	1/100
CH 950/50 KN	CH 950/50 KN 1	950	1015	895	2,20	1/100
CH 1050/50 KN	CH 1050/50 KN 1	1050	1115	995	2,40	1/100



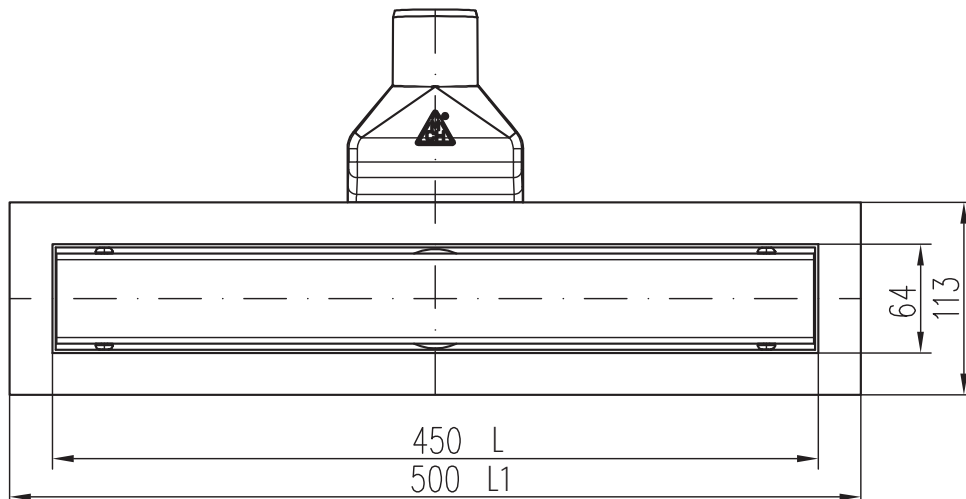
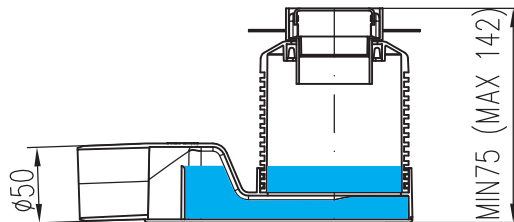


## Stainless steel linear floor drain with side outlet D50 and with plastic siphon



### BENEFITS

- stainless steel body
- building height 75mm
- adjustable drain height between 75 and 142 mm
- height of stainless steel frame 15 mm
- stainless steel grid 1.5 mm, finish gloss/matte
- the flow rate of the linear drain is 40 l under EN 1253
- dimension range 650/750/850/950/1050 mm
- swivel siphon 360°



Part number GLOSS	Part number MATTE	DimensionL [mm]	DimensionL1 [mm]	Weight [kg/pc]	Packaging [pcs/pallet]
----------------------	----------------------	--------------------	---------------------	-------------------	---------------------------

## HARMONY

CH N 650 H	CH N 650 H 1	650	700	2,40	1/100
CH N 750 H	CH N 750 H 1	750	800	2,60	1/100
CH N 850 H	CH N 850 H 1	850	900	2,80	1/100
CH N 950 H	CH N 950 H 1	950	1000	3	1/100
CH N 1050 H	CH N 1050 H 1	1050	1100	3,20	1/100



## SQUARE

CH N 650 S	CH N 650 S 1	650	700	2,40	1/100
CH N 750 S	CH N 750 S 1	750	800	2,60	1/100
CH N 850 S	CH N 850 S 1	850	900	2,80	1/100
CH N 950 S	CH N 950 S 1	950	1000	3	1/100
CH N 1050 S	CH N 1050 S 1	1050	1100	3,20	1/100



## BASIC

CH N 650 B	CH N 650 B 1	650	700	2,40	1/100
CH N 750 B	CH N 750 B 1	750	800	2,60	1/100
CH N 850 B	CH N 850 B 1	850	900	2,80	1/100
CH N 950 B	CH N 950 B 1	950	1000	3	1/100
CH N 1050 B	CH N 1050 B 1	1050	1100	3,20	1/100



## DROPS

CH N 650 D	CH N 650 D 1	650	700	2,40	1/100
CH N 750 D	CH N 750 D 1	750	800	2,60	1/100
CH N 850 D	CH N 850 D 1	850	900	2,80	1/100
CH N 950 D	CH N 950 D 1	950	1000	3	1/100
CH N 1050 D	CH N 1050 D 1	1050	1100	3,20	1/100



## MEDIUM

CH N 650 M	CH N 650 M 1	650	700	2,40	1/100
CH N 750 M	CH N 750 M 1	750	800	2,60	1/100
CH N 850 M	CH N 850 M 1	850	900	2,80	1/100
CH N 950 M	CH N 950 M 1	950	1000	3	1/100
CH N 1050 M	CH N 1050 M 1	1050	1100	3,20	1/100



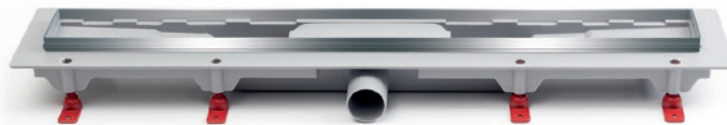
## KLASIK/FLOOR

CH N 650 K	CH N 650 K 1	650	700	2,40	1/100
CH N 750 K	CH N 750 K 1	750	800	2,60	1/100
CH N 850 K	CH N 850 K 1	850	900	2,80	1/100
CH N 950 K	CH N 950 K 1	950	1000	3	1/100
CH N 1050 K	CH N 1050 K 1	1050	1100	3,20	1/100

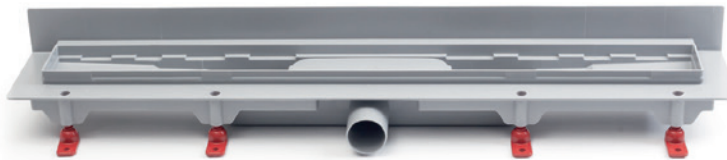




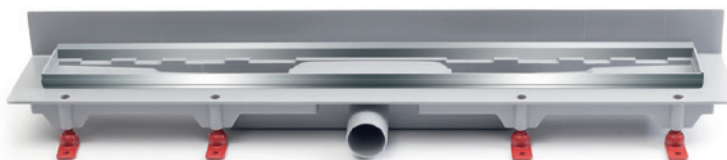
Type	Dimension L [mm]	Part number
Linear floor drain without grid D40	350	CH 350/1
Linear floor drain without grid D40	450	CH 450/1
Linear floor drain without grid D40	650	CH 650/1
Linear floor drain without grid D40	750	CH 750/1
Linear floor drain without grid D40	850	CH 850/1



Type	Dimension L [mm]	Part number
Linear floor drain with SS frame without grid D40	350	CH 350/1 N
Linear floor drain with SS frame without grid D40	450	CH 450/1 N
Linear floor drain with SS frame without grid D40	650	CH 650/1 N
Linear floor drain with SS frame without grid D40	750	CH 750/1 N
Linear floor drain with SS frame without grid D40	850	CH 850/1 N



Type	Dimension L [mm]	Part number
Linear floor drain to the wall without grid D40	350	CH 350/2
Linear floor drain to the wall without grid D40	450	CH 450/2
Linear floor drain to the wall without grid D40	650	CH 650/2
Linear floor drain to the wall without grid D40	750	CH 750/2
Linear floor drain to the wall without grid D40	850	CH 850/2



Type	Dimension L [mm]	Part number
Linear floor drain to the wall with SS frame without grid D40	350	CH 350/2 N
Linear floor drain to the wall with SS frame without grid D40	450	CH 450/2 N
Linear floor drain to the wall with SS frame without grid D40	650	CH 650/2 N
Linear floor drain to the wall with SS frame without grid D40	750	CH 750/2 N
Linear floor drain to the wall with SS frame without grid D40	850	CH 850/2 N



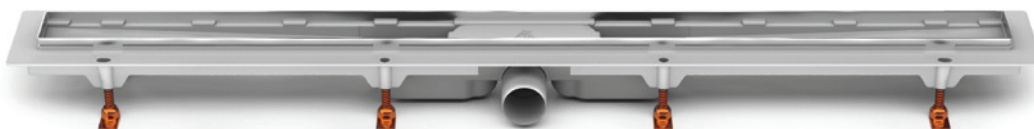
Type	Dimension L [mm]	Part number
Linear floor drain without grid, bottom outlet D40	650	CH 650/S40
Linear floor drain without grid, bottom outlet D40	750	CH 750/S40
Linear floor drain without grid, bottom outlet D40	850	CH 850/S40
Linear floor drain without grid, bottom outlet D40	950	CH 950/S40
Linear floor drain without grid, bottom outlet D40	1050	CH 1050/S40



Type	Dimension L [mm]	Part number
Linear floor drain with SS frame without grid, bottom outlet D40	650	CH 650/S40 N
Linear floor drain with SS frame without grid, bottom outlet D40	750	CH 750/S40 N
Linear floor drain with SS frame without grid, bottom outlet D40	850	CH 850/S40 N
Linear floor drain with SS frame without grid, bottom outlet D40	950	CH 950/S40 N
Linear floor drain with SS frame without grid, bottom outlet D40	1050	CH 1050/S40 N



Type	Dimension L [mm]	Part number
Linear floor drain without grid D50	650	CH 650/50
Linear floor drain without grid D50	750	CH 750/50
Linear floor drain without grid D50	850	CH 850/50
Linear floor drain without grid D50	950	CH 950/50
Linear floor drain without grid D50	1050	CH 1050/50



Type	Dimension L [mm]	Part number
Linear floor drain with SS frame without grid D50	650	CH 650/50 N
Linear floor drain with SS frame without grid D50	750	CH 750/50 N
Linear floor drain with SS frame without grid D50	850	CH 850/50 N
Linear floor drain with SS frame without grid D50	950	CH 950/50 N
Linear floor drain with SS frame without grid D50	1050	CH 1050/50 N

## Grid HARMONY

Part number	
GLOSS	MATTE
H 350	H 350 1
H 450	H 450 1
H 650	H 650 1
H 750	H 750 1
H 850	H 850 1
H 950	H 950 1
H 1050	H 1050 1



## Grid SQUARE

Part number	
GLOSS	MATTE
S 350	S 350 1
S 450	S 450 1
S 650	S 650 1
S 750	S 750 1
S 850	S 850 1
S 950	S 950 1
S 1050	S 1050 1



## Grid BASIC

Part number	
GLOSS	MATTE
B 350	B 350 1
B 450	B 450 1
B 650	B 650 1
B 750	B 750 1
B 850	B 850 1
B 950	B 950 1
B 1050	B 1050 1



## Grid DROPS

Part number	
GLOSS	MATTE
D 350	D 350 1
D 450	D 450 1
D 650	D 650 1
D 750	D 750 1
D 850	D 850 1
D 950	D 950 1
D 1050	D 1050 1



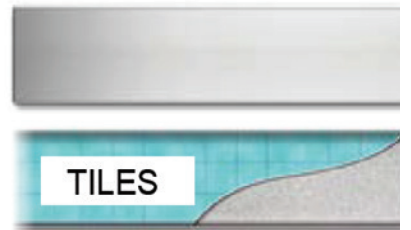
## Grid MEDIUM

Part number	
GLOSS	MATTE
M 350	M 350 1
M 450	M 450 1
M 650	M 650 1
M 750	M 750 1
M 850	M 850 1
M 950	M 950 1
M 1050	M 1050 1



## Grid KLASIK - Grid FLOOR

Part number	
GLOSS	MATTE
K 350	K 350 1
K 450	K 450 1
K 650	K 650 1
K 750	K 750 1
K 850	K 850 1
K 950	K 950 1
K 1050	K 1050 1



## Siphon cover

Part number
CH 430



## Sealing O-ring

Part number
CH 431



## Flap

Part number
CH 432



## Adjustable leg

Part number
CH 433 - 47 mm
CH 433/1 - 62 mm



**Plastic key to remove grid**

**Part number**  
CH 439



**Plastic sifter for stainless steel drain**

**Part number**  
CH 460



**Adhesive waterproofing membrane 1000 x 80 mm**

**Part number**  
391/7



**Reduction piece 40/50**

**Part number**  
CH 434



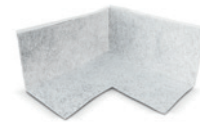
**Adhesive waterproofing membrane - outside corner**

**Part number**  
392/2



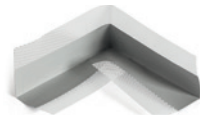
**Adhesive waterproofing membrane - inside corner**

**Part number**  
392/1



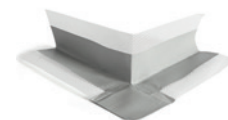
**Sealing strip KLASIK - inside corner**

**Part number**  
392/3



**Sealing strip KLASIK - outside corner**

**Part number**  
392/4



**Sealing strip PROFI 120 mm x 10 m**

**Part number**  
391/9



**Sealing strip KLASIK 120 mm x 10 m**

**Part number**  
391/8



**Sealing strip PROFI - outside corner**

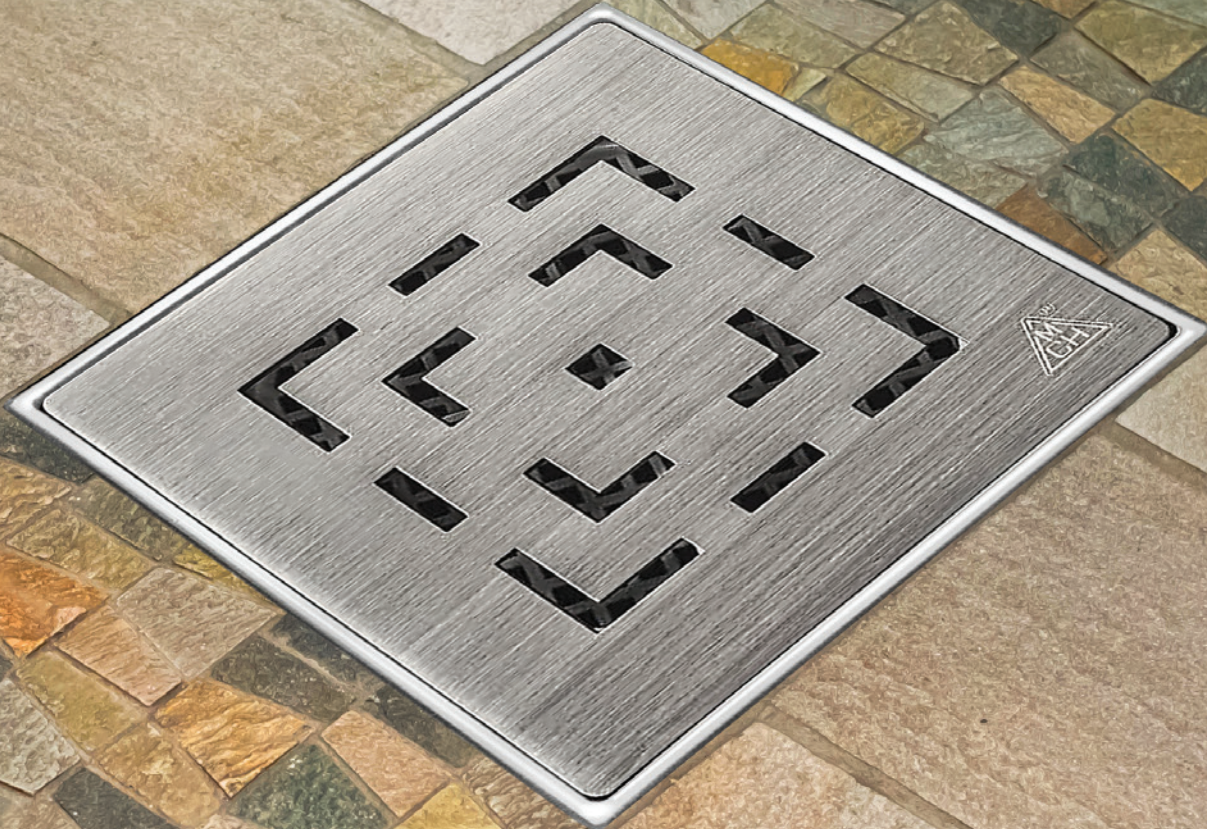
**Part number**  
392/6



**Sealing strip PROFI - outside corner**

**Part number**  
392/5

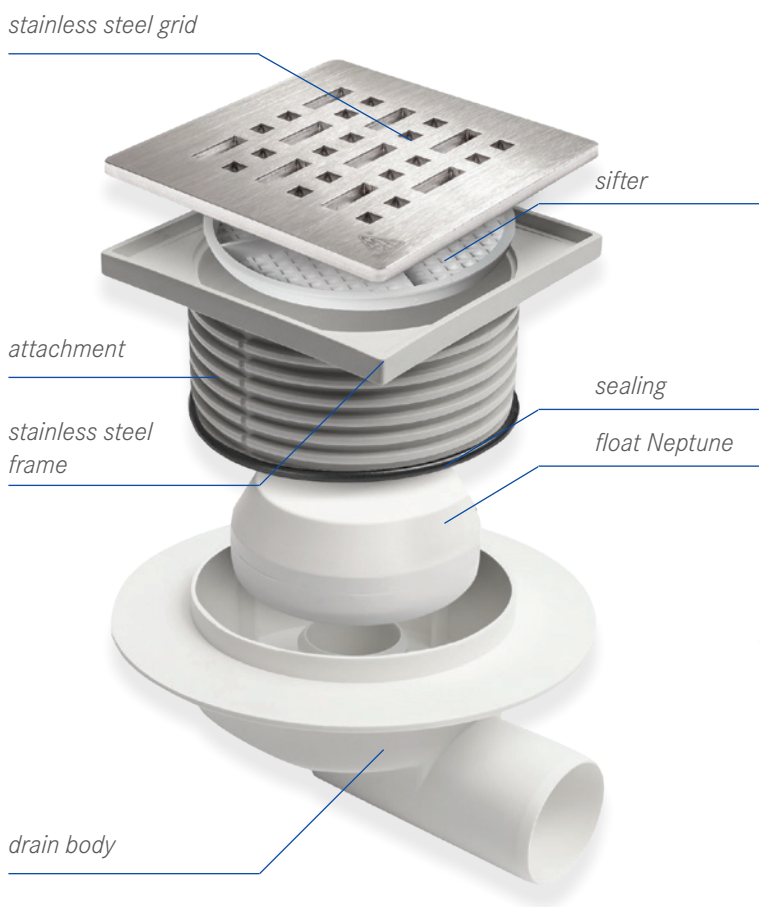




FLOOR DRAIN - NEPTUNE



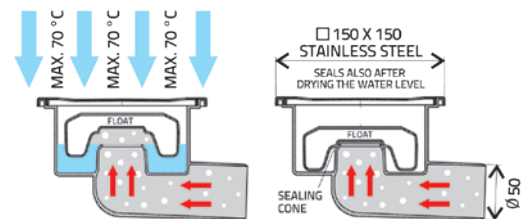
# Inside drains with Neptune float



## Neptune

Floor drains and street drains are equipped with a Neptune float. In the water filled anti-odour protection drops, the NEPTUNE float closes the outlet, protects against odours spreading from the sewage line.

Float Neptune is available in two sizes for floor drains and street drains. Floats are not interchangeable, works reliably up to maximum temperature of 70°C.



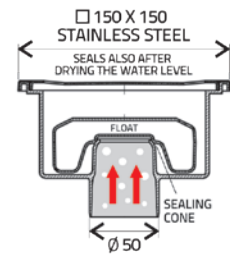
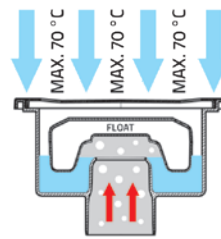
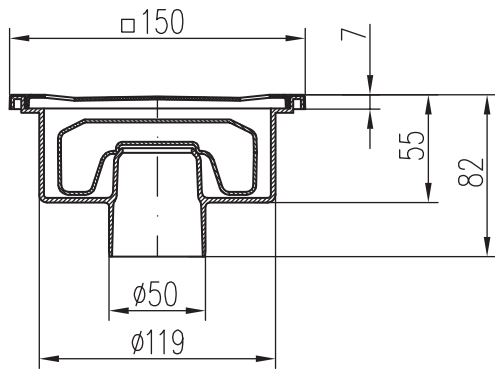
Bottom floor drain DN50/82 stainless steel



stainless steel grid 1.5 mm



Part number	Packaging [pcs/pallet]	Flow rate [l/min]	Weight [kg/pc]
320 XN	10/480	32	0,38



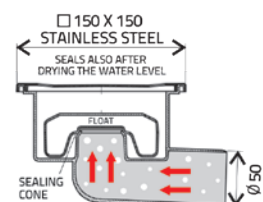
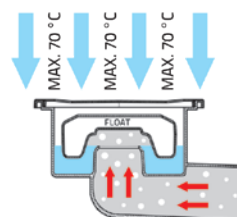
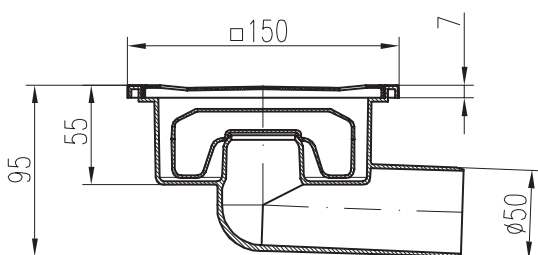
Side floor drain DN50/95 stainless steel



stainless steel grid 1.5 mm



Part number	Packaging [pcs/pallet]	Flow rate [l/min]	Weight [kg/pc]
326 XN	12/576	38	0,43



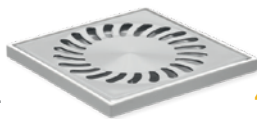
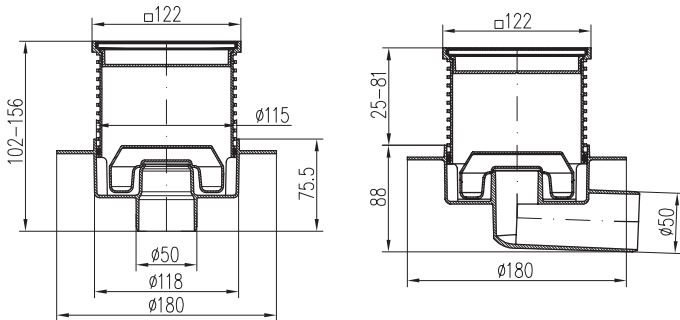
### BOTTOM OUTLET DN50

### SIDE OUTLET DN50 and stainless steel frame



## Floor drain with bottom / side outlet, DN50, with a plastic / stainless steel frame

The floor drain with a bottom/side outlet and a float is intended for indoor use. It is made with a full stainless steel finish. When the floor level sinks, the NEPTUNE float will block the drain, thus preventing the backflow of stench from the sewer piper. Made from polypropylene, ABS and stainless steel DIN 1.4301. Load K3 (300 kg), heat resistance up to 70 °C, standard EN 1253.



420 XL  
425 XL

420 NXL  
425 NXL



430 XL  
435 XL



440 XL  
445 XL



F 420 XL  
F 425 XL

F 420 NXL  
F 425 NXL



L 420 XL  
L 425 XL

L 420 NXL  
L 425 NXL



G 420 XL  
G 425 XL

G 420 NXL  
G 425 NXL

Part number	Finish	Packaging [pcs/pallet]	Flow rate [l/mm]	Weight [kg/pc]	Outlet
420 XL	■	8/192	29-48	0,53	bottom
425 XL	■	8/192	43-58	0,56	side
420 NXL	■	8/192	29-48	0,56	bottom
425 NXL	■	8/192	43-58	0,59	side

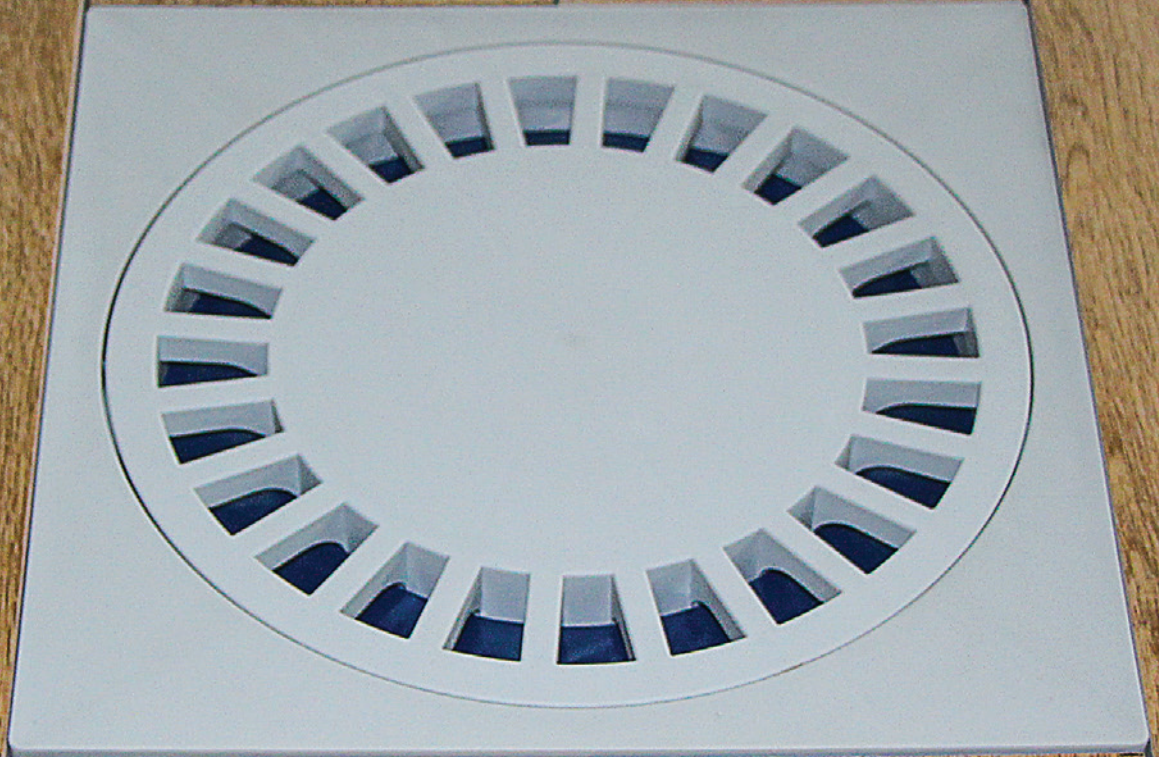
Part number	Finish	Packaging [pcs/pallet]	Flow rate [l/mm]	Weight [kg/pc]	Outlet
430 XL	full stainless steel	8/192	27-46	0,56	bottom
435 XL	full stainless steel	8/192	41-56	0,59	side

Part number	Finish	Packaging [pcs/pallet]	Flow rate [l/mm]	Weight [kg/pc]	Outlet
440 XL	●	8/192	27-46	0,63	bottom
445 XL	●	8/192	41-56	0,66	side

Part number	Finish	Packaging [pcs/pallet]	Flow rate [l/mm]	Weight [kg/pc]	Outlet
F 420 XL	■	8/160	29-48	0,85	bottom
F 425 XL	■	8/160	43-58	0,88	side
F 420 NXL	■	8/160	29-48	0,88	bottom
F 425 NXL	■	8/160	43-58	0,91	side

Part number	Finish	Packaging [pcs/pallet]	Flow rate [l/mm]	Weight [kg/pc]	Outlet
L 420 XL	■	8/160	29-48	0,85	bottom
L 425 XL	■	8/160	43-58	0,88	side
L 420 NXL	■	8/160	29-48	0,88	bottom
L 425 NXL	■	8/160	43-58	0,91	side

Part number	Finish	Packaging [pcs/pallet]	Flow rate [l/mm]	Weight [kg/pc]	Outlet
G 420 XL	■	8/160	29-48	0,85	bottom
G 425 XL	■	8/160	43-58	0,88	side
G 420 NXL	■	8/160	29-48	0,88	bottom
G 425 NXL	■	8/160	43-58	0,91	side



FLOOR DRAIN

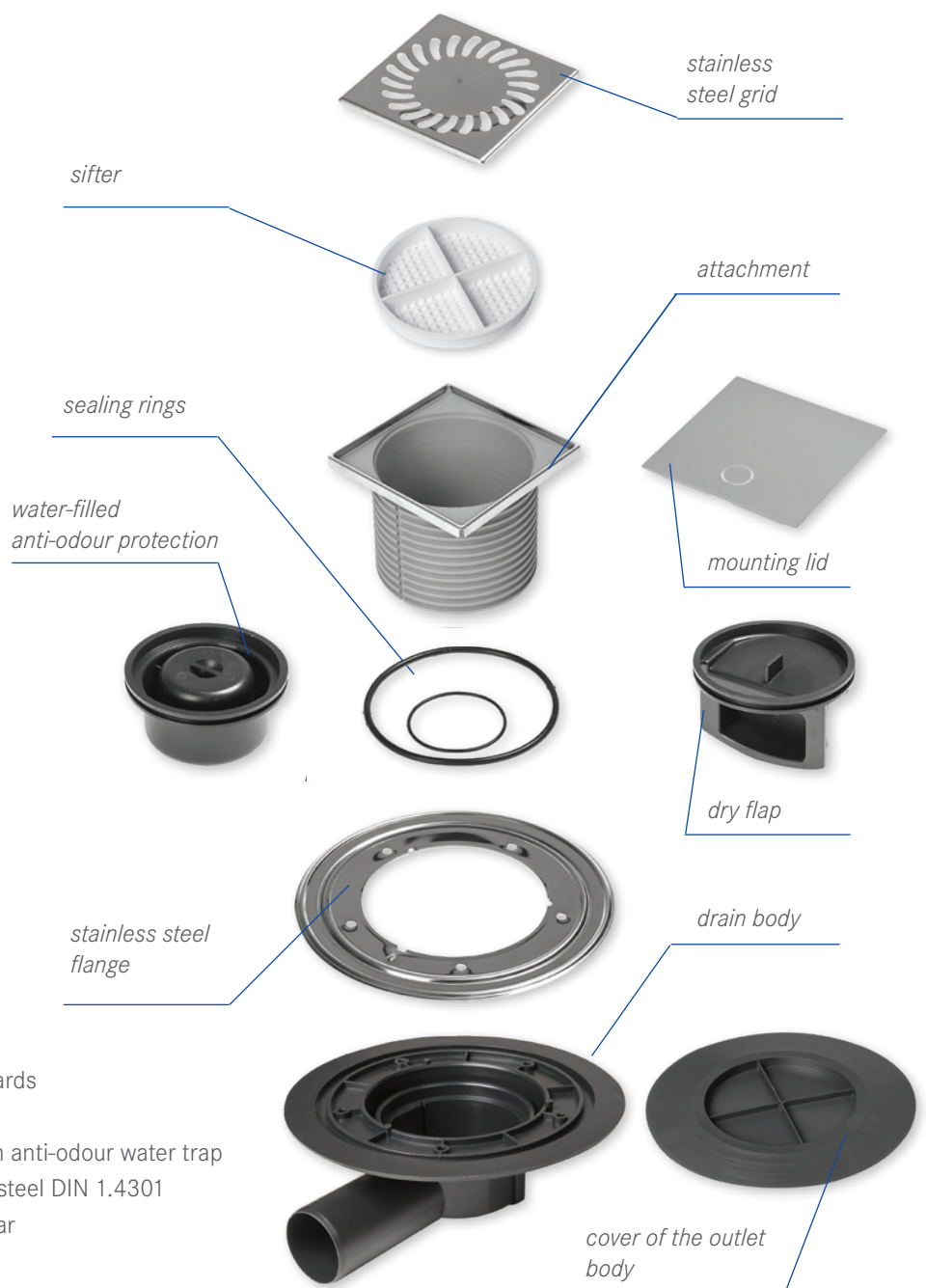
# Indoor floor drains

Indoor floor drains are mostly intended for indoor pipe systems that drain waste water through a sewage hook-up from buildings to the public sewage or directly into domestic treatment facilities for waste water and septic tanks. The floor drains are made from polypropylene and stainless steel DIN 1.4301, load K3 (300 kg), heat resistance up to 90 °C, standard EN 1253.

## GOOD QUALITY IS AN ADVANTAGE:

The floor drain system is made from quality materials that are resistant to corrosion, ambient stress and differences in water temperatures.

The products have excellent manufacturing quality, are easy to install and well affordable.

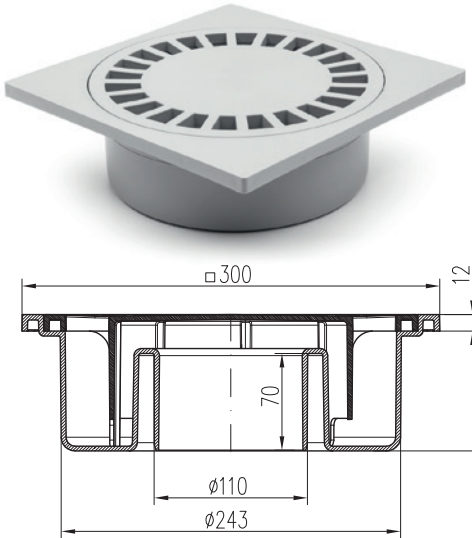


## BENEFITS

- low installation height from 55 mm upwards
- inside-outlet and bottom-outlet versions
- the packaging contains a dry flap and an anti-odour water trap
- made from polypropylene and stainless steel DIN 1.4301
- versions of stainless grids: round/angular
- load K3 (300 kg)
- standard EN 1253
- heat resistance 90 °C

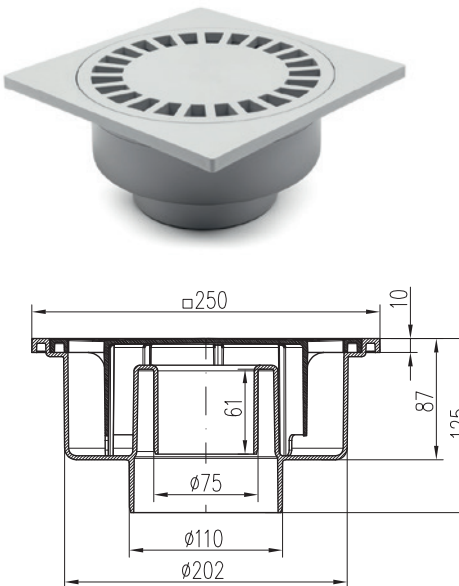
The floor drain with the water seal can be used both indoors and outdoors.

This product can be easily connected to HT and KG pipelines. The drain is made from polypropylene; heat resistance up to 90 °C, standard EN 1253, with UV stabilizers.



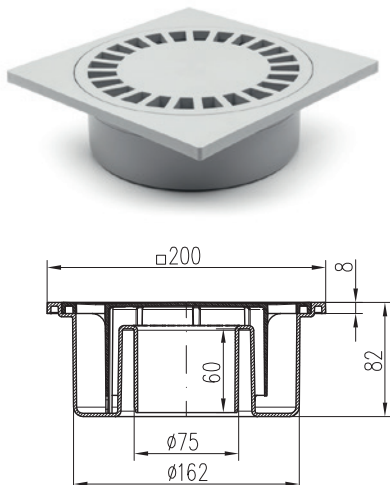
Floor drain, bottom outlet, DN110,  
300 x 300 mm, 1.500 kg

Part number	Packaging [pcs/pallet]	Flow rate [l/min]	Weight [kg/pc]
220 P	4/110	190	1,39



Floor drain, bottom outlet, DN75/110,  
250 x 250 mm, 300 kg

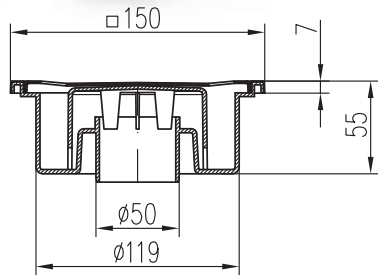
Part number	Packaging [pcs/pallet]	Flow rate [l/min]	Weight [kg/pc]
221 P	4/162	145	0,94



Floor drain, bottom outlet, DN75,  
200 x 200 mm, 300 kg

Part number	Packaging [pcs/pallet]	Flow rate [l/min]	Weight [kg/pc]
222 P	8/336	100	0,52

The floor drain with the water seal is intended for indoor use. It is made in two varieties, with a plastic grid and with a full stainless steel surface. Made from polypropylene and stainless steel DIN 1.4301. Load K3 (300 kg), heat resistance up to 90 °C, standard EN 1253.

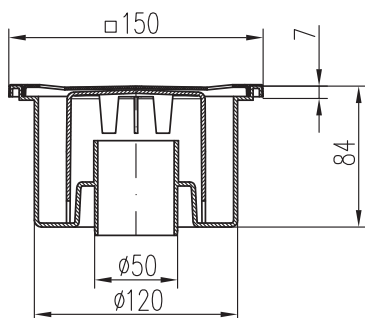


## Floor drain, bottom outlet DN50/55, plastic / stainless steel

Part number	Packaging [pcs/pallet]	Flow rate [l/min]	Weight [kg/pc]
320 P	14/924	45	0,22
320 N	14/924	40	0,39



stainless steel grid 1.5 mm



## Floor drain, bottom outlet DN50/84, plastic / stainless steel

Part number	Packaging [pcs/pallet]	Flow rate [l/min]	Weight [kg/pc]
321 P	10/480	48	0,30
321 N	10/480	43	0,47



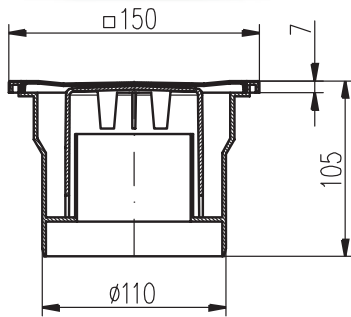
stainless steel grid 1.5 mm

The floor drain with the water seal is intended for indoor use. It is made in three varieties with a plastic grid and with a full stainless steel surface. Load K3 (300 kg), heat resistance up to 90 °C, standard EN 1253.



## Floor drain, bottom outlet DN110, plastic / stainless steel

Part number	Packaging [pcs/pallet]	Flow rate [l/min]	Weight [kg/pc]	Colour
323 P	9/432	48	0,29	■
323 Pb	9/432	48	0,29	□
323 N	9/432	43	0,43	■

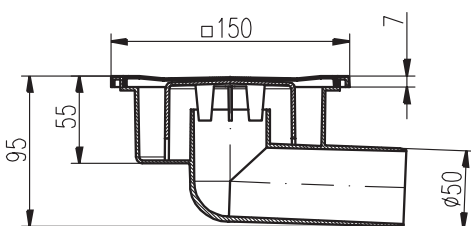


stainless steel grid 1.5 mm



## Floor drain, side outlet DN50/95, plastic / stainless steel

Part number	Packaging [pcs/pallet]	Flow rate [l/min]	Weight [kg/pc]
326 P	12/576	55	0,26
326 N	12/576	50	0,44



stainless steel grid 1.5 mm

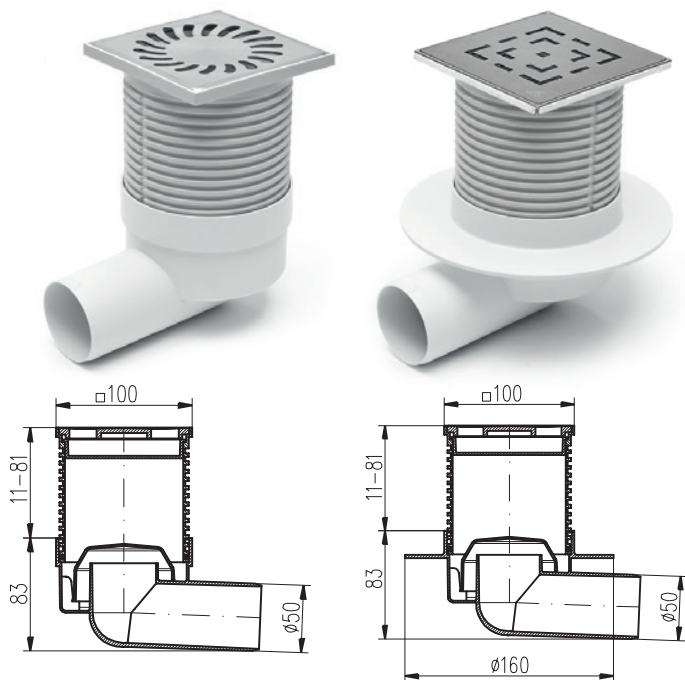


## WITHOUT COLLAR

## WITH COLLAR and stainless steel frame

## Floor drain side DN50 without / with collar and with a plastic / stainless steel frame

The floor drain with the water seal is intended for indoor use. It is made in two varieties, with a plastic or stainless steel frame. The drain collar can be used to attach a waterproofing or bitumen membrane. Made from polypropylene and stainless steel DIN 1.4301. Load K3-300 kg, resistance up to 90 °C, standard EN1253. The option with a stainless steel frame will be available from **quarter 3 of 2018**.



413  
411 L



413 N  
411 NL

F 413  
F 411 L



F 413 N  
F 411 NL

L 413  
L 411 L



L 413 N  
L 411 NL

G 413  
G 411 L



G 413 N  
G 411 NL

Part number	Finish	Packaging [pcs/pallet]	Flow rate [l/mm]	Weight [kg/pc]
413	plastic	10/480	45-50	0,34
411 L	plastic	8/192	45-50	0,45
413 N	stainless steel	10/480	45-50	0,37
411 NL	stainless steel	8/192	45-50	0,48

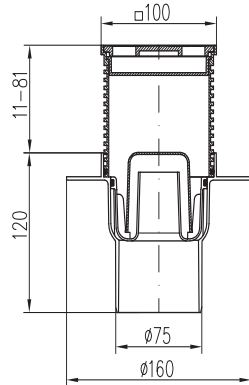
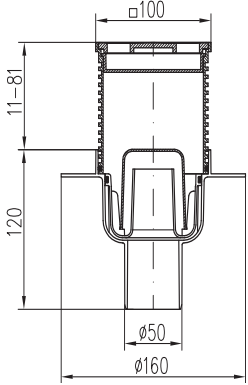
Part number	Finish	Packaging [pcs/pallet]	Flow rate [l/mm]	Weight [kg/pc]
F 413	plastic	10/480	45-50	0,55
F 411 L	plastic	8/192	45-50	0,66
F 413 N	stainless steel	10/480	45-50	0,58
F 411 NL	stainless steel	8/192	45-50	0,69

Part number	Finish	Packaging [pcs/pallet]	Flow rate [l/mm]	Weight [kg/pc]
L 413	plastic	10/480	45-50	0,55
L 411 L	plastic	8/192	45-50	0,66
L 413 N	stainless steel	10/480	45-50	0,58
L 411 NL	stainless steel	8/192	45-50	0,69

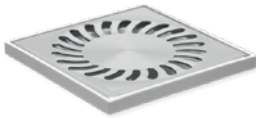
Part number	Finish	Packaging [pcs/pallet]	Flow rate [l/mm]	Weight [kg/pc]
G 413	plastic	10/480	45-50	0,55
G 411 L	plastic	8/192	45-50	0,66
G 413 N	stainless steel	10/480	45-50	0,58
G 411 NL	stainless steel	8/192	45-50	0,69

## BOTTOM OUTLET DN50

## BOTTOM OUTLET DN75 and stainless steel frame



416 L  
417 L



416 N L  
417 N L

F 416 L  
F 417 L



F 416 N L  
F 417 N L

L 416 L  
L 417 L



L 416 N L  
L 417 N L

G 416 L  
G 417 L



G 416 N L  
G 417 N L

## Floor drain, bottom outlet DN50, DN75 with a collar and plastic / stainless steel frame



The floor drain with the water seal is intended for indoor use. It is made in two varieties, with a plastic or stainless steel frame. The drain collar can be used to attach a waterproofing or bitumen membrane. Made from polypropylene and stainless steel DIN 1.4301. Load K3-300 kg, resistance up to 90 °C, standard EN1253. The option with a stainless steel frame will be available from **quarter 3 of 2018**.

Part number	Finish	Packaging [pcs/pallet]	Flow rate [l/mm]	Weight [kg/pc]
416 L	plastic	8/192	35-40	0,50
417 L	plastic	8/192	37-42	0,50
416 N L	stainless steel	8/192	35-40	0,53
417 N L	stainless steel	8/192	37-42	0,53

Part number	Finish	Packaging [pcs/pallet]	Flow rate [l/mm]	Weight [kg/pc]
F 416 L	plastic	8/192	35-40	0,72
F 417 L	plastic	8/192	37-42	0,72
F 416 N L	stainless steel	8/192	35-40	0,75
F 417 N L	stainless steel	8/192	37-42	0,75

Part number	Finish	Packaging [pcs/pallet]	Flow rate [l/mm]	Weight [kg/pc]
L 416 L	plastic	8/160	35-40	0,72
L 417 L	plastic	8/160	37-42	0,72
L 416 N L	stainless steel	8/160	35-40	0,75
L 417 N L	stainless steel	8/160	37-42	0,75

Part number	Finish	Packaging [pcs/pallet]	Flow rate [l/mm]	Weight [kg/pc]
G 416 L	plastic	8/160	35-40	0,72
G 417 L	plastic	8/160	37-42	0,72
G 416 N L	stainless steel	8/160	35-40	0,75
G 417 N L	stainless steel	8/160	37-42	0,75

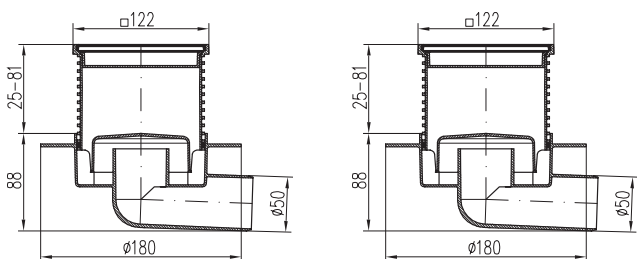
## SIDE OUTLET DN50

## SIDE OUTLET DN75 and stainless steel frame

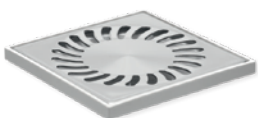


## Floor drain, side outlet, DN50 with a collar and plastic / stainless steel frame

The floor drain with the water seal is intended for indoor use. It is made in two varieties, with a plastic or stainless steel frame. The drain collar can be used to attach a waterproofing or bitumen membrane. Made from polypropylene and stainless steel DIN 1.4301. Load K3 (300 kg), heat resistance up to 90 °C, standard EN 1253.



425 L



425 NL

Part number	Finish	Packaging [pcs/pallet]	Flow rate [l/mm]	Weight [kg/pc]
425 L	plastic	8/192	50-60	0,56
425 NL	stainless steel	8/192	50-60	0,59

445 L



Part number	Finish	Packaging [pcs/pallet]	Flow rate [l/mm]	Weight [kg/pc]
445 L	full stainless steel	8/192	47-58	0,66

435 L



Part number	Finish	Packaging [pcs/pallet]	Flow rate [l/mm]	Weight [kg/pc]
435 L	plastic	8/192	47-58	0,59

F 425 L



F 425 NL

Part number	Finish	Packaging [pcs/pallet]	Flow rate [l/mm]	Weight [kg/pc]
F 425 L	plastic	8/160	50-60	0,88
F 425 NL	stainless steel	8/160	50-60	0,91

L 425 L



L 425 NL

Part number	Finish	Packaging [pcs/pallet]	Flow rate [l/mm]	Weight [kg/pc]
L 425 L	plastic	8/160	50-60	0,88
L 425 NL	stainless steel	8/160	50-60	0,91

G 425 L



G 425 NL

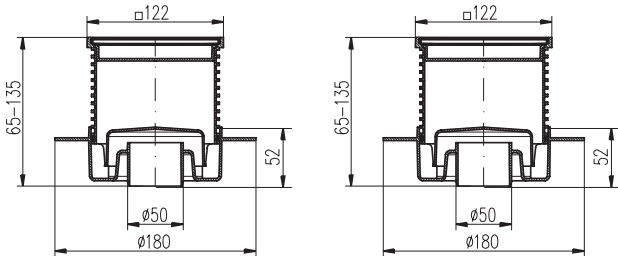
Part number	Finish	Packaging [pcs/pallet]	Flow rate [l/mm]	Weight [kg/pc]
G 425 L	plastic	8/160	50-60	0,88
G 425 NL	stainless steel	8/160	50-60	0,91

## BOTTOM OUTLET DN50

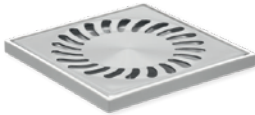
## BOTTOM OUTLET DN50 and stainless steel frame

## Floor drain, bottom outlet, DN50 with a collar and plastic / stainless steel frame

The floor drain with the water seal is intended for indoor use. It is made in two varieties, with a plastic or stainless steel frame. The drain collar can be used to attach a waterproofing or bitumen membrane. Made from polypropylene and stainless steel DIN 1.4301. Load K3 (300 kg), heat resistance up to 90 °C, standard EN 1253.



420 L



420 NL

Part number	Finish	Packaging [pcs/pallet]	Flow rate [l/mm]	Weight [kg/pc]
420 L	plastic	8/192	50-60	0,52
420 NL	stainless steel	8/192	50-60	0,55

440 L



Part number	Finish	Packaging [pcs/pallet]	Flow rate [l/mm]	Weight [kg/pc]
440 L	full stainless steel	8/192	47-58	0,62

430 L



Part number	Finish	Packaging [pcs/pallet]	Flow rate [l/mm]	Weight [kg/pc]
430 L	plastic	8/192	47-58	0,55

F 420 L



F 420 NL

Part number	Finish	Packaging [pcs/pallet]	Flow rate [l/mm]	Weight [kg/pc]
F 420 L	plastic	8/160	50-60	0,84
F 420 NL	stainless steel	8/160	50-60	0,87

L 420 L



L 420 NL

Part number	Finish	Packaging [pcs/pallet]	Flow rate [l/mm]	Weight [kg/pc]
L 420 L	plastic	8/160	50-60	0,84
L 420 NL	stainless steel	8/160	50-60	0,87

G 420 L



G 420 NL

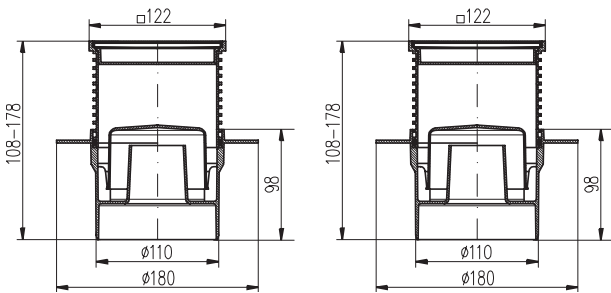
Part number	Finish	Packaging [pcs/pallet]	Flow rate [l/mm]	Weight [kg/pc]
G 420 L	plastic	8/160	50-60	0,84
G 420 NL	stainless steel	8/160	50-60	0,87

## BOTTOM OUTLET DN110

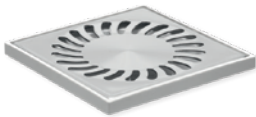
## BOTTOM OUTLET DN110 and stainless steel frame

## Floor drain, bottom outlet, DN110 with a plastic / stainless frame

The floor drain with the water seal is intended for indoor use. It is made in two varieties, with a plastic or stainless steel frame. The drain collar can be used to attach a waterproofing or bitumen membrane. Made from polypropylene and stainless steel DIN 1.4301. Load K3 (300 kg), heat resistance up to 90 °C, standard EN 1253.



421 L



421 NL

Part number	Finish	Packaging [pcs/pallet]	Flow rate [l/mm]	Weight [kg/pc]
421 L	plastic	4/192	50-60	0,61
421 NL	stainless steel	4/192	50-60	0,64

441 L



Part number	Finish	Packaging [pcs/pallet]	Flow rate [l/mm]	Weight [kg/pc]
441 L	full stainless steel	4/192	47-58	0,72

431 L



Part number	Finish	Packaging [pcs/pallet]	Flow rate [l/mm]	Weight [kg/pc]
431 L	plastic	4/192	47-58	0,64

F 421 L



F 421 NL

Part number	Finish	Packaging [pcs/pallet]	Flow rate [l/mm]	Weight [kg/pc]
F 421 L	plastic	4/160	50-60	0,93
F 421 NL	stainless steel	4/160	50-60	0,96

L 421 L



L 421 NL

Part number	Finish	Packaging [pcs/pallet]	Flow rate [l/mm]	Weight [kg/pc]
L 421 L	plastic	4/160	50-60	0,93
L 421 NL	stainless steel	4/160	50-60	0,96

G 421 L



G 421 NL

Part number	Finish	Packaging [pcs/pallet]	Flow rate [l/mm]	Weight [kg/pc]
G 421 L	plastic	4/160	50-60	0,93
G 421 NL	stainless steel	4/160	50-60	0,96

## WITH COLLAR

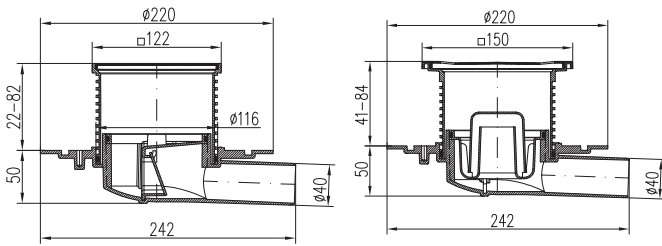


## WITH FLANGE and stainless steel frame

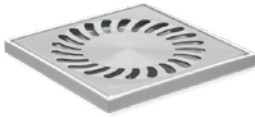


## Universal floor drain, side outlet, DN40 with a plastic / stainless steel frame, collar / flange

The floor drain can be used both indoors and outdoors. The low installation height of 50 mm requires minimum interventions in the building structure. The packaging contains a dry flap and anti-odour water level system. The collar or flange can be used to attach a waterproofing or bitumen membrane. Made from polypropylene and stainless steel DIN 1.4301. Load K3 (300 kg), heat resistance up to 90 °C, standard EN 1253.



382 A  
382 B



382 N A  
382 N B

382 E  
382 F



382 C  
382 D



F 382 A  
F 382 B



F 382 N A  
F 382 N B

L 382 A  
L 382 B



L 382 N A  
L 382 N B

G 382 A  
G 382 B



G 382 N A  
G 382 N B

Part number	Finish	Packaging [pcs/pallet]	Flow rate [l/mm]	Weight [kg/pc]	flange
382 A	plastic	8/160	33-38 V 55-80 S	0,90	no
382 B	plastic	8/160	33-38 V 55-80 S	1,13	yes
382 N A	stainless steel	8/160	33-38 V 55-80 S	0,93	no
382 N B	stainless steel	8/160	33-38 V 55-80 S	1,16	yes

Part number	Finish	Packaging [pcs/pallet]	Flow rate [l/mm]	Weight [kg/pc]	flange
382 E	full stainless steel	8/160	33-38 V 55-80 S	0,94	no
382 F	full stainless steel	8/160	33-38 V 55-80 S	1,17	yes

Part number	Finish	Packaging [pcs/pallet]	Flow rate [l/mm]	Weight [kg/pc]	flange
382 C	plastic	8/160	33-38 V 55-80 S	0,85	no
382 D	plastic	8/160	33-38 V 55-80 S	1,06	yes

Part number	Finish	Packaging [pcs/pallet]	Flow rate [l/mm]	Weight [kg/pc]	flange
F 382 A	plastic	8/160	33-80	1,22	no
F 382 B	plastic	8/160	33-80	1,43	yes
F 382 N A	stainless steel	8/160	33-80	1,25	no
F 382 N B	stainless steel	8/160	33-80	1,46	yes

Part number	Finish	Packaging [pcs/pallet]	Flow rate [l/mm]	Weight [kg/pc]	flange
L 382 A	plastic	8/160	33-80	1,22	no
L 382 B	plastic	8/160	33-80	1,43	yes
L 382 N A	stainless steel	8/160	33-80	1,25	no
L 382 N B	stainless steel	8/160	33-80	1,46	yes

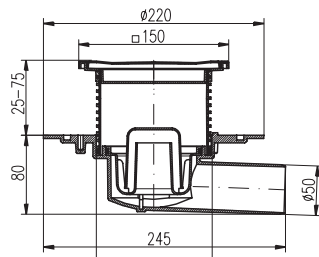
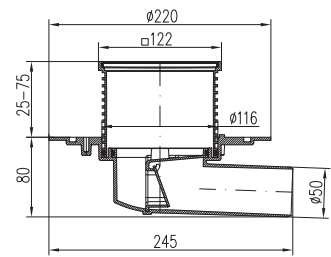
Part number	Finish	Packaging [pcs/pallet]	Flow rate [l/mm]	Weight [kg/pc]	flange
G 382 A	plastic	8/160	33-80	1,22	no
G 382 B	plastic	8/160	33-80	1,43	yes
G 382 N A	stainless steel	8/160	33-80	1,25	no
G 382 N B	stainless steel	8/160	33-80	1,46	yes

## WITH COLLAR

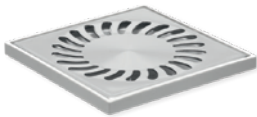
## WITH FLANGE and stainless steel frame

## Universal floor drain, side outlet, DN50 with a plastic / stainless steel frame, collar / flange

The floor drain can be used both indoors and outdoors. The packaging contains a dry flap and anti-odour water level system. The collar or flange can be used to attach a waterproofing or bitumen membrane. Made from polypropylene and stainless steel DIN 1.4301. Load K3 (300 kg), heat resistance up to 90 °C, standard EN 1253.



381 A  
381 B



381 N A  
381 N B

381 E  
381 F



381 C  
381 D



F 381 A  
F 381 B



F 381 N A  
F 381 N B

L 381 A  
L 381 B



L 381 N A  
L 381 N B

G 381 A  
G 381 B



G 381 N A  
G 381 N B

Part number	Finish	Packaging [pcs/pallet]	Flow rate [l/mm]	Weight [kg/pc]	flange
381 A	plastic	8/160	35-40 V 60-85 S	0,90	no
381 B	plastic	8/160	35-40 V 60-85 S	1,13	yes
381 N A	stainless steel	8/160	35-40 V 60-85 S	0,93	no
381 N B	stainless steel	8/160	35-40 V 60-85 S	1,16	yes

Part number	Finish	Packaging [pcs/pallet]	Flow rate [l/mm]	Weight [kg/pc]	flange
381 E	full stainless steel	8/160	35-40 V 60-85 S	0,94	no
381 F	full stainless steel	8/160	35-40 V 60-85 S	1,17	yes

Part number	Finish	Packaging [pcs/pallet]	Flow rate [l/mm]	Weight [kg/pc]	flange
381 C	plastic	8/160	35-40 V 60-85 S	0,85	no
381 D	plastic	8/160	35-40 V 60-85 S	1,06	yes

Part number	Finish	Packaging [pcs/pallet]	Flow rate [l/mm]	Weight [kg/pc]	flange
F 381 A	plastic	8/160	35-85	1,22	no
F 381 B	plastic	8/160	35-85	1,43	yes
F 381 N A	stainless steel	8/160	35-85	1,25	no
F 381 N B	stainless steel	8/160	35-85	1,46	yes

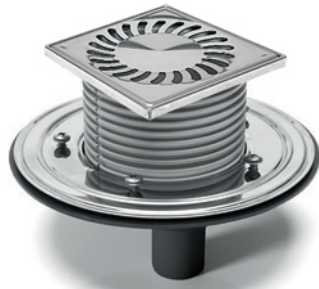
Part number	Finish	Packaging [pcs/pallet]	Flow rate [l/mm]	Weight [kg/pc]	flange
L 381 A	plastic	8/160	35-85	1,22	no
L 381 B	plastic	8/160	35-85	1,43	yes
L 381 N A	stainless steel	8/160	35-85	1,25	no
L 381 N B	stainless steel	8/160	35-85	1,46	yes

Part number	Finish	Packaging [pcs/pallet]	Flow rate [l/mm]	Weight [kg/pc]	flange frame
G 381 A	plastic	8/160	35-85	1,22	no
G 381 B	plastic	8/160	35-85	1,43	yes
G 381 N A	stainless steel	8/160	35-85	1,25	no
G 381 N B	stainless steel	8/160	35-85	1,46	yes

## WITH COLLAR

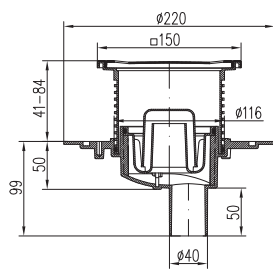
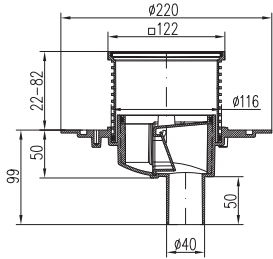


## WITH FLANGE and stainless steel frame

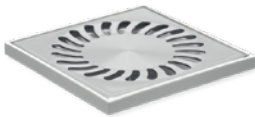


## Universal floor drain, bottom outlet DN40 with a plastic / stainless steel frame, collar / flange

The floor drain can be used both indoors and outdoors. The packaging contains a dry flap and anti-odour water level system. The collar or flange can be used to attach a waterproofing or bitumen membrane. Made from polypropylene and stainless steel DIN 1.4301. Load K3 (300 kg), heat resistance up to 90 °C, standard EN 1253.



383 A  
383 B



383 N A  
383 N B

383 E  
383 F



383 C  
383 D



F 383 A  
F 383 B



F 383 N A  
F 383 N B

L 383 A  
L 383 B



L 383 N A  
L 383 N B

G 383 A  
G 383 B



G 383 N A  
G 383 N B

Part number	Finish	Packaging [pcs/pallet]	Flow rate [l/mm]	Weight [kg/pc]	flange
383 A	plastic	4/120	33-38 V 55-80 S	0,87	no
383 B	plastic	4/120	33-38 V 55-80 S	1,13	yes
383 N A	stainless steel	4/120	33-38 V 55-80 S	0,93	no
383 N B	stainless steel	4/120	33-38 V 55-80 S	1,16	yes

Part number	Finish	Packaging [pcs/pallet]	Flow rate [l/mm]	Weight [kg/pc]	flange
383 E	full stainless steel	4/120	33-38 V 55-80 S	0,94	no
383 F	full stainless steel	4/120	33-38 V 55-80 S	1,17	yes

Part number	Finish	Packaging [pcs/pallet]	Flow rate [l/mm]	Weight [kg/pc]	flange
383 C	plastic	4/120	33-38 V 55-80 S	0,85	no
383 D	plastic	4/120	33-38 V 55-80 S	1,06	yes

Part number	Finish	Packaging [pcs/pallet]	Flow rate [l/mm]	Weight [kg/pc]	flange
F 383 A	plastic	4/120	33-80	1,29	no
F 383 B	plastic	4/120	33-80	1,42	yes
F 383 N A	stainless steel	4/120	33-80	1,32	no
F 383 N B	stainless steel	4/120	33-80	1,45	yes

Part number	Finish	Packaging [pcs/pallet]	Flow rate [l/mm]	Weight [kg/pc]	flange
L 383 A	plastic	4/120	33-80	1,29	no
L 383 B	plastic	4/120	33-80	1,42	yes
L 383 N A	stainless steel	4/120	33-80	1,32	no
L 383 N B	stainless steel	4/120	33-80	1,45	yes

Part number	Finish	Packaging [pcs/pallet]	Flow rate [l/mm]	Weight [kg/pc]	flange
G 383 A	plastic	4/120	33-80	1,29	no
G 383 B	plastic	4/120	33-80	1,42	yes
G 383 N A	stainless steel	4/120	33-80	1,32	no
G 383 N B	stainless steel	4/120	33-80	1,45	yes



## WITH COLLAR

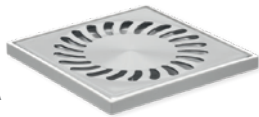
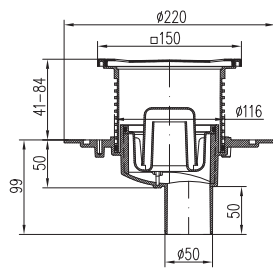
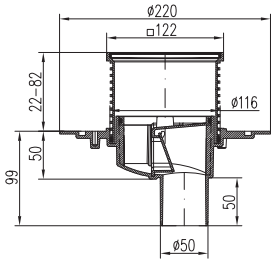


## WITH FLANGE and stainless steel frame



## Universal floor drain, bottom outlet DN50 with a plastic / stainless steel frame, collar / flange

The floor drain can be used both indoors and outdoors. The packaging contains a dry flap and anti-odour water level system. The collar or flange can be used to attach a waterproofing or bitumen membrane. Made from polypropylene and stainless steel DIN 1.4301. Load K3 (300 kg), heat resistance up to 90 °C, standard EN 1253.



384 A  
384 B

384 N A  
384 N B



384 E  
384 F



384 C  
384 D



F 384 A  
F 384 B

F 384 N A  
F 384 N B



L 384 A  
L 384 B

L 384 N A  
L 384 N B



G 384 A  
G 384 B

G 384 N A  
G 384 N B

Part number	Finish	Packaging [pcs/pallet]	Flow rate [l/mm]	Weight [kg/pc]	flange
384 A	plastic	4/120	35-40 V 60-85 S	0,90	no
384 B	plastic	4/120	35-40 V 60-85 S	1,13	yes
384 N A	stainless steel	4/120	35-40 V 60-85 S	0,93	no
384 N B	stainless steel	4/120	35-40 V 60-85 S	1,16	yes

Part number	Finish	Packaging [pcs/pallet]	Flow rate [l/mm]	Weight [kg/pc]	flange
384 E	full stainless steel	4/120	35-40 V 60-85 S	0,94	no
384 F	full stainless steel	4/120	35-40 V 60-85 S	1,17	yes

Part number	Finish	Packaging [pcs/pallet]	Flow rate [l/mm]	Weight [kg/pc]	flange
384 C	plastic	4/120	35-40 V 60-85 S	0,85	no
384 D	plastic	4/120	35-40 V 60-85 S	1,06	yes

Part number	Finish	Packaging [pcs/pallet]	Flow rate [l/mm]	Weight [kg/pc]	flange
F 384 A	plastic	4/120	35-85	1,22	no
F 384 B	plastic	4/120	35-85	1,45	yes
F 384 N A	stainless steel	4/120	35-85	1,25	no
F 384 N B	stainless steel	4/120	35-85	1,48	yes

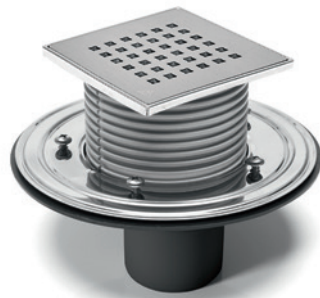
Part number	Finish	Packaging [pcs/pallet]	Flow rate [l/mm]	Weight [kg/pc]	flange
L 384 A	plastic	4/120	35-85	1,22	no
L 384 B	plastic	4/120	35-85	1,45	yes
L 384 N A	stainless steel	4/120	35-85	1,25	no
L 384 N B	stainless steel	4/120	35-85	1,45	yes

Part number	Finish	Packaging [pcs/pallet]	Flow rate [l/mm]	Weight [kg/pc]	flange
G 384 A	plastic	4/120	35-85	1,22	no
G 384 B	plastic	4/120	35-85	1,45	yes
G 384 N A	stainless steel	4/120	35-85	1,25	no
G 384 N B	stainless steel	4/120	35-85	1,48	yes

## WITH COLLAR

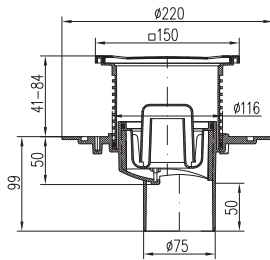
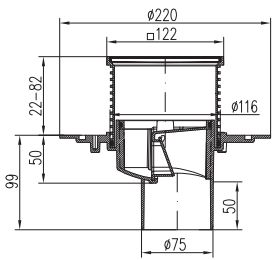


## WITH FLANGE and stainless steel frame

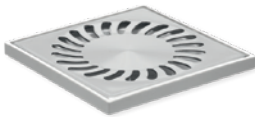


## Universal floor drain, bottom outlet DN75 with a plastic / stainless steel frame, collar / flange

The floor drain can be used both indoors and outdoors. The packaging contains a dry flap and anti-odour water level system. The collar or flange can be used to attach a waterproofing or bitumen membrane. Made from polypropylene and stainless steel DIN 1.4301. Load K3 (300 kg), heat resistance up to 90 °C, standard EN 1253.



385 A  
385 B



385 N A  
385 N B

385 E  
385 F



385 C  
385 D



F 385 A  
F 385 B



F 385 N A  
F 385 N B

L 385 A  
L 385 B



L 385 N A  
L 385 N B

G 385 A  
G 385 B



G 385 N A  
G 385 N B

Part number	Finish	Packaging [pcs/pallet]	Flow rate [l/mm]	Weight [kg/pc]	flange
385 A	plastic	4/120	37-42 V 63-86 S	0,93	no
385 B	plastic	4/120	37-42 V 63-86 S	1,16	yes
385 N A	stainless steel	4/120	37-42 V 63-86 S	0,96	no
385 N B	stainless steel	4/120	37-42 V 63-86 S	1,19	yes

Part number	Finish	Packaging [pcs/pallet]	Flow rate [l/mm]	Weight [kg/pc]	flange
385 E	full stainless steel	4/120	37-42 V 63-86 S	0,97	no
385 F	full stainless steel	4/120	37-42 V 63-86 S	1,20	yes

Part number	Finish	Packaging [pcs/pallet]	Flow rate [l/mm]	Weight [kg/pc]	flange
385 C	plastic	4/120	37-42 V 63-86 S	0,88	no
385 D	plastic	4/120	33-38 V 55-80 S	1,06	yes

Part number	Finish	Packaging [pcs/pallet]	Flow rate [l/mm]	Weight [kg/pc]	flange
F 385 A	plastic	4/120	37-86	1,25	no
F 385 B	plastic	4/120	37-86	1,48	yes
F 385 N A	stainless steel	4/120	37-86	1,28	no
F 385 N B	stainless steel	4/120	37-86	1,51	yes

Part number	Finish	Packaging [pcs/pallet]	Flow rate [l/mm]	Weight [kg/pc]	flange
L 385 A	plastic	4/120	37-86	1,25	no
L 385 B	plastic	4/120	37-86	1,48	yes
L 385 N A	stainless steel	4/120	37-86	1,28	no
L 385 N B	stainless steel	4/120	37-86	1,51	yes

Part number	Finish	Packaging [pcs/pallet]	Flow rate [l/mm]	Weight [kg/pc]	flange
G 385 A	plastic	4/120	37-86	1,25	no
G 385 B	plastic	4/120	37-86	1,48	yes
G 385 N A	stainless steel	4/120	37-86	1,28	no
G 385 N B	stainless steel	4/120	37-86	1,51	yes

## WITH COLLAR

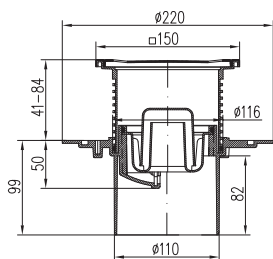
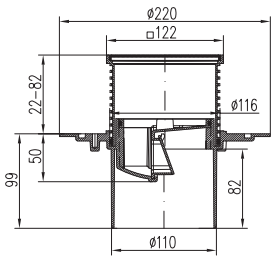


## WITH FLANGE and stainless steel frame

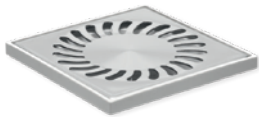


## Universal floor drain, bottom outlet DN110 with a plastic / stainless steel frame, collar / flange

The floor drain can be used both indoors and outdoors. The packaging contains a dry flap and anti-odour water level system. The collar or flange can be used to attach a waterproofing or bitumen membrane. Made from polypropylene and stainless steel DIN 1.4301. Load K3 (300 kg), heat resistance up to 90 °C, standard EN 1253.



386 A  
386 B



386 N A  
386 N B

386 E  
386 F



386 C  
386 D



F 386 A  
F 386 B



F 386 N A  
F 386 N B

L 386 A  
L 386 B



L 386 N A  
L 386 N B

G 386 A  
G 386 B



G 386 N A  
G 386 N B

Part number	Finish	Packaging [pcs/pallet]	Flow rate [l/mm]	Weight [kg/pc]	flange
386 A	plastic	4/120	37-44 V 64-88 S	0,96	no
386 B	plastic	4/120	37-44 V 64-88 S	1,19	yes
386 N A	stainless steel	4/120	37-44 V 64-88 S	0,99	no
386 N B	stainless steel	4/120	37-44 V 64-88 S	1,22	yes

Part number	Finish	Packaging [pcs/pallet]	Flow rate [l/mm]	Weight [kg/pc]	flange
386 E	full stainless steel	4/120	37-44 V 64-88 S	1,00	no
386 F	full stainless steel	4/120	37-44 V 64-88 S	1,23	yes

Part number	Finish	Packaging [pcs/pallet]	Flow rate [l/mm]	Weight [kg/pc]	flange
386 C	plastic	4/120	37-44 V 64-88 S	0,91	no
386 D	plastic	4/120	37-44 V 64-88 S	1,12	yes

Part number	Finish	Packaging [pcs/pallet]	Flow rate [l/mm]	Weight [kg/pc]	flange
F 386 A	plastic	4/120	37-88	1,28	no
F 386 B	plastic	4/120	37-88	1,51	yes
F 386 N A	stainless steel	4/120	37-88	1,31	no
F 386 N B	stainless steel	4/120	37-88	1,54	yes

Part number	Finish	Packaging [pcs/pallet]	Flow rate [l/mm]	Weight [kg/pc]	flange
L 386 A	plastic	4/120	37-88	1,28	no
L 386 B	plastic	4/120	37-88	1,51	yes
L 386 N A	stainless steel	4/120	37-88	1,31	no
L 386 N B	stainless steel	4/120	37-88	1,54	yes

Part number	Finish	Packaging [pcs/pallet]	Flow rate [l/mm]	Weight [kg/pc]	flange
G 386 A	plastic	4/120	37-88	1,28	no
G 386 B	plastic	4/120	37-88	1,51	yes
G 386 N A	stainless steel	4/120	37-88	1,31	no
G 386 N B	stainless steel	4/120	37-88	1,54	yes

## WITH COLLAR

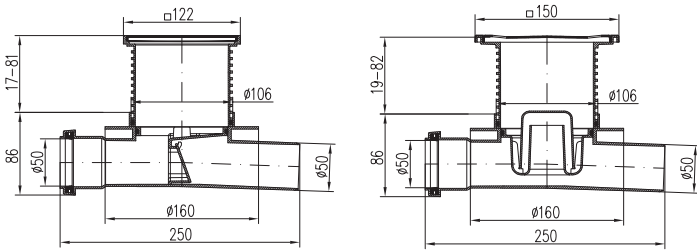


## WITH FLANGE and stainless steel frame

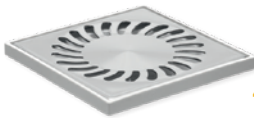


## Multi-inlet floor drain DN50 with a plastic / stainless steel frame and collar

The floor drain can be used both indoors and outdoors, allowing several waste collection lines to be connected. The packaging contains a dry flap and anti-odour water level system. The collar or flange can be used to attach a waterproofing or bitumen membrane. Made from polypropylene and stainless steel DIN 1.4301. Load K3 (300 kg), heat resistance up to 90 °C, standard EN 1253.



428 S  
428 V



428 NS  
428 NV

448 S  
448 V



F 428 S  
F 428 V



F 428 NS  
F 428 NV

L 428 S  
L 428 V



L 428 NS  
L 428 NV

G 428 S  
G 428 V



G 428 NS  
G 428 NV

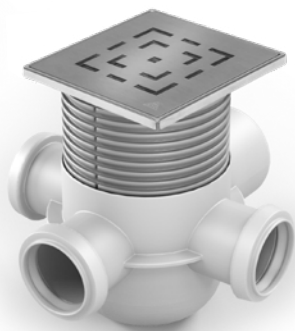
Part number	Finish	Packaging [pcs/pallet]	Flow rate [l/mm]	Weight [kg/pc]
428 S	plastic	6/144	55-80	0,61
428 V	plastic	6/144	35-40	0,61
428 NS	stainless steel	6/144	55-80	0,64
428 NV	stainless steel	6/144	35-40	0,64

Part number	Finish	Packaging [pcs/pallet]	Flow rate [l/mm]	Weight [kg/pc]
448 S	full stainless steel	6/144	55-80	0,70
448 V	full stainless steel	6/144	35-40	0,70

Part number	Finish	Packaging [pcs/pallet]	Flow rate [l/mm]	Weight [kg/pc]
F 428 S	plastic	6/144	55-80	0,93
F 428 V	plastic	6/144	35-40	0,93
F 428 NS	stainless steel	6/144	55-80	0,96
F 428 NV	stainless steel	6/144	35-40	0,96

Part number	Finish	Packaging [pcs/pallet]	Flow rate [l/mm]	Weight [kg/pc]
L 428 S	plastic	6/144	55-80	0,93
L 428 V	plastic	6/144	35-40	0,93
L 428 NS	stainless steel	6/144	55-80	0,96
L 428 NV	stainless steel	6/144	35-40	0,96

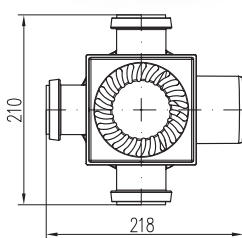
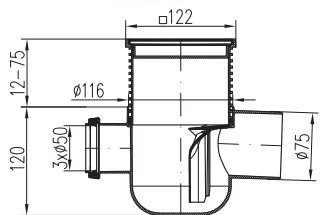
Part number	Finish	Packaging [pcs/pallet]	Flow rate [l/mm]	Weight [kg/pc]
G 428 S	plastic	6/144	55-80	0,93
G 428 V	plastic	6/144	35-40	0,93
G 428 NS	stainless steel	6/144	55-80	0,96
G 428 NV	stainless steel	6/144	35-40	0,96



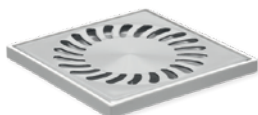
## Multi – inlet floor drain D50 / D75 with a plastic / stainless steel frame



The floor drain can be used both indoors and outdoors, allowing several waste collection lines to be connected in a sewage grid. Made from polypropylene and stainless steel DIN 1.4301. Load K3 (300 kg), heat resistance up to 90 °C, standard EN 1253.



801



801 N

Part number	Finish	Packaging [pcs/pallet]	Flow rate [l/mm]	Weight [kg/pc]
801	plastic	4/120	50-60	0,90
801 N	stainless steel	4/120	50-60	0,93

802



Part number	Finish	Packaging [pcs/pallet]	Flow rate [l/mm]	Weight [kg/pc]
802	full stainless steel	4/120	47-58	0,93

803



Part number	Finish	Packaging [pcs/pallet]	Flow rate [l/mm]	Weight [kg/pc]
803	plastic	4/120	47-58	1,01

F 801



F 801 N

Part number	Finish	Packaging [pcs/pallet]	Flow rate [l/mm]	Weight [kg/pc]
F 801	plastic	4/120	50-60	1,60
F 801 N	stainless steel	4/120	50-60	1,63

L 801



L 801 N

Part number	Finish	Packaging [pcs/pallet]	Flow rate [l/mm]	Weight [kg/pc]
L 801	plastic	4/120	50-60	1,60
L 801 N	stainless steel	4/120	50-60	1,63

G 801

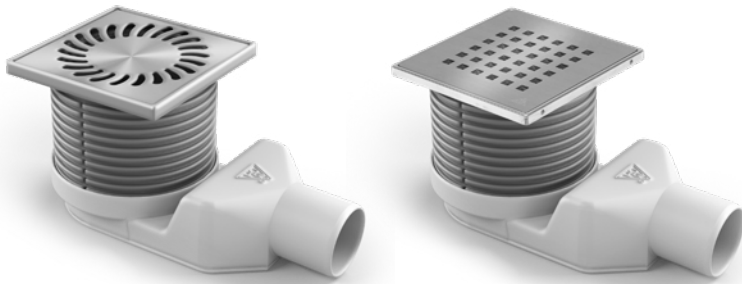


G 801 N

Part number	Finish	Packaging [pcs/pallet]	Flow rate [l/mm]	Weight [kg/pc]
G 801	plastic	4/120	50-60	1,60
G 801 N	stainless steel	4/120	50-60	1,63



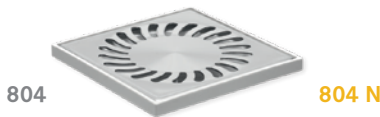
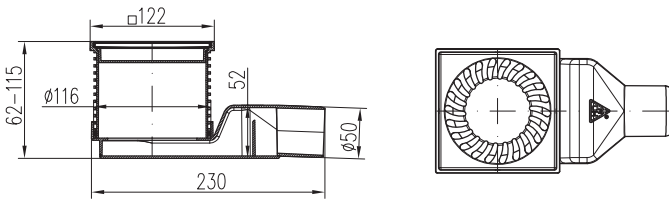
## Side floor trap DN50 – low, with a plastic / stainless steel frame



The low-side trap is intended for indoor use, for optional connection to a piping DN50. The product advantage is low installation height. Intended for bathroom reconstructions.

Made from polypropylene and stainless steel DIN 1.4301.

Load K3 (300 kg), heat resistance up to 90 °C, standard EN 1253.



Part number	Finish	Packaging [pcs/pallet]	Flow rate [l/mm]	Weight [kg/pc]
804	plastic	4/120	50-60	0,50
804 N	stainless steel	4/120	50-60	0,53



Part number	Finish	Packaging [pcs/pallet]	Flow rate [l/mm]	Weight [kg/pc]
805	full stainless steel	4/120	47-58	0,53



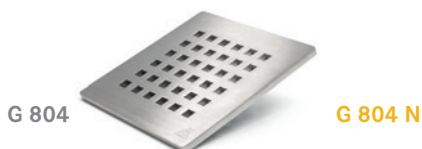
Part number	Finish	Packaging [pcs/pallet]	Flow rate [l/mm]	Weight [kg/pc]
806	plastic	4/120	47-58	0,60



Part number	Finish	Packaging [pcs/pallet]	Flow rate [l/mm]	Weight [kg/pc]
F 804	plastic	4/120	50-60	1,20
F 804 N	stainless steel	4/120	50-60	1,23



Part number	Finish	Packaging [pcs/pallet]	Flow rate [l/mm]	Weight [kg/pc]
L 804	plastic	4/120	50-60	1,20
L 804 N	stainless steel	4/120	50-60	1,23

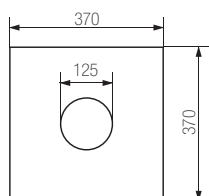


Part number	Finish	Packaging [pcs/pallet]	Flow rate [l/mm]	Weight [kg/pc]
G 804	plastic	4/120	50-60	1,20
G 804 N	stainless steel	4/120	50-60	1,23

## Adhesive waterproofing membrane

A flexible insulation membrane with a polypropylene fleece, resistant to perforation, with butyl rubber glue. The membrane features high adhesion and anti-ageing resistance. It can be applied to clean structural surfaces such as concrete and masonry.

### WATERPROOFING MEMBRANE 370 x 370 x 125

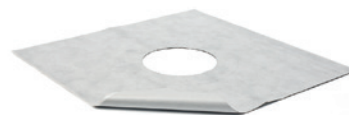


Part number	Pieces/package
391/1	1

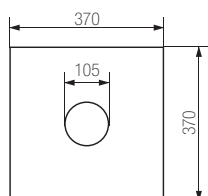
Suitable for type:

381 A • 381 C • 381 E • 381 G • 420 L • 430 L • 440 L • 421 L • 431 L • 441 L • 420 • 430 • 440 • 421 • 431 • 441 • 420 X L • 430 X L • 440 X L • 420 X • 430 X • 440 X

Grid: FACE, LABYRINTH, GATE



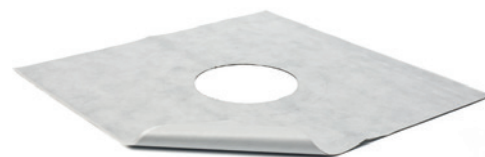
### WATERPROOFING MEMBRANE 370 x 370 x 105



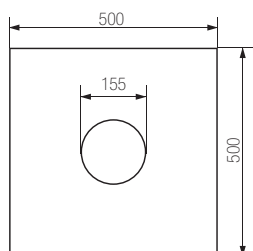
Part number	Pieces/package
391/2	1

Suitable for type:

411 L • 410 L • 414 L • 415 L • 410 • 411



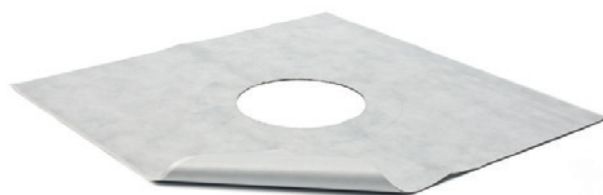
### WATERPROOFING MEMBRANE 500 x 500 x 155



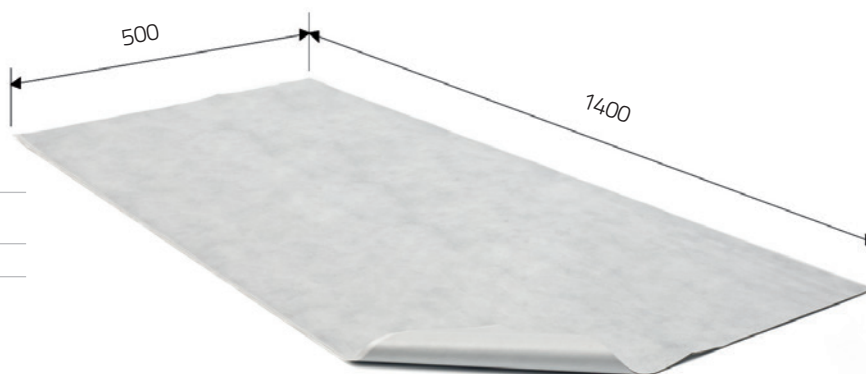
Part number	Pieces/package
391/3	1

Suitable for type:

327 S P • 327 S N • 327 S Li • 331 • 331z  
• 331 P • 331 Pz



### WATERPROOFING MEMBRANE 1400 x 500



Part number	Pieces/package
391/4	1



**Plastic grid (300 x 300)**

220 P

**Plastic grid (250 x 250)**

221 P

**Plastic grid (200 x 200)**

222 P

371/1

371/2

371/3



**Plastic grid (low)**

320 P • 326 P

371



**Plastic grid (high)**

321 P • 323 P b

343



**Plastic grid, black (high)**

323 P

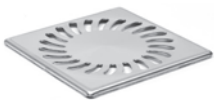
343/5



**Stainless steel grid, round (D 137)**

320 N • 321 N • 323 N • 326 N • 430L • 430 • 431 L • 431 • 320 X N • 326 X N • 381 C • 381 D • 381 E • 381 F • 382 C • 382 D • 382 E • 382 F • 383 C • 383 D • 383 E • 383 F • 384 C • 384 D • 384 E • 384 F • 385 C • 385 D • 385 E • 385 F • 386 C • 386 D • 386 E • 386 F • 430 X • 430 X L • 440 X • 440 X L • 435 • 435L • 435 X • 435 X L • 445 • 445L • 445 X • 445 X L • 448 S • 448 V

347



**Stainless steel grid (122 x 122)**

381 NA • 381 NB • 382 NA • 382 NB • 383 NA • 383 NB • 384 NA • 384 NB • 385 NA • 385 NB • 386 NA • 386 NB • 381 A • 381 B • 382 A • 382 B • 383 A • 383 B • 384 A • 384 B • 385 A • 385 B • 386 A • 386 B • 420 N L • 421 N L • 420 N X L • 425 N L • 425 N X L • 428 N S • 428 N V • 801 N • 804 N • 420 L • 421 L • 420 X L • 425 L • 425 X L • 428 S • 428 V • 801 • 804

380



**Stainless steel grid (100 x 100)**

411 L • 413 • 416 L • 417 L • 411 N L • 413 N • 416 N L • 417 N L

375/0



**Plastic grid (100 x 100)**

412 • 410 L • 410 • 415 L

375/2



**Grid Gate, large, 5 mm (116 x 116)**

381 NA • 381 NB • 382 NA • 382 NB • 383 NA • 383 NB • 384 NA • 384 NB • 385 NA • 385 NB • 386 NA • 386 NB • 381 A • 381 B • 382 A • 382 B • 383 A • 383 B • 384 A • 384 B • 385 A • 385 B • 386 A • 386 B • 420 N L • 421 N L • 420 N X L • 425 N L • 425 N X L • 428 N S • 428 N V • 801 N • 804 N • 420 L • 421 L • 420 X L • 425 L • 425 X L • 428 S • 428 V • 801 • 804

380 F



**Grid Labyrinth large 5 mm (116 x 116)**

381 NA • 381 NB • 382 NA • 382 NB • 383 NA • 383 NB • 384 NA • 384 NB • 385 NA • 385 NB • 386 NA • 386 NB • 381 A • 381 B • 382 A • 382 B • 383 A • 383 B • 384 A • 384 B • 385 A • 385 B • 386 A • 386 B • 420 N L • 421 N L • 420 N X L • 425 N L • 425 N X L • 428 N S • 428 N V • 801 N • 804 N • 420 L • 421 L • 420 X L • 425 L • 425 X L • 428 S • 428 V • 801 • 804

380 L



**Grid Gate large 5 mm (116 x 116)**

381 NA • 381 NB • 382 NA • 382 NB • 383 NA • 383 NB • 384 NA • 384 NB • 385 NA • 385 NB • 386 NA • 386 NB • 381 A • 381 B • 382 A • 382 B • 383 A • 383 B • 384 A • 384 B • 385 A • 385 B • 386 A • 386 B • 420 N L • 421 N L • 420 N X L • 425 N L • 425 N X L • 428 N S • 428 N V • 801 N • 804 N • 420 L • 421 L • 420 X L • 425 L • 425 X L • 428 S • 428 V • 801 • 804

380 G





**Grid Face small 5 mm (100 x 100)**

410L • 411L • 413 • 414L • 415L • 416L • 417L • 411 NL • 413 N • 416 NL • 417 NL

375 F



**Grid Labyrinth small 5 mm (100 x 100)**

410L • 411L • 413 • 414L • 415L • 416L • 417L • 411 NL • 413 N • 416 NL • 417 NL

375 L



**Grid Gate small 5 mm (100 x 100)**

410L • 411L • 413 • 414L • 415L • 416L • 417L • 411 NL • 413 N • 416 NL • 417 NL

375 G



**Attachment for stainless steel type (122 x 122)**

381 A • 381 B • 382 A • 382 B • 383 A • 383 B • 384 A • 384 B • 385 A • 385 B  
• 386 A • 386 B • 420L • 421L • 420 XL • 425L • 425 XL • 801 • 804

386/0



**Attachment with stainless steel frame (122 x 122)**

381 NA • 381 NB • 382 NA • 382 NB • 383 NA • 383 NB • 384 NA • 384 NB • 385 N  
A • 385 NB • 386 NA • 386 NB • 420 NL • 421 NL • 420 N XL • 425 NL • 425 N XL  
• 801 N • 804 N

386 N



**Attachment for stainless steel type (round)**

381 C • 381 D • 382 C • 382 D • 383 C • 383 D • 384 C • 384 D • 385 C • 385 D  
• 386 C • 386 D • 430L • 430 • 431L • 431 • 430 X • 430 XL • 435 • 435 L • 435 X  
• 435 XL

386/3



**Attachment for the full stainless steel type**

381 E • 381 F • 382 E • 382 F • 383 E • 383 F • 384 E • 384 F • 385 E • 385 F • 386 E • 386 F  
440L • 440 • 441L • 441 • 440 X • 440 XL • 445 • 445L • 445 X • 445 XL • 448 S • 448 V

386/5



**Attachment for plastic / stainless steel type (100 x 100)**

411L • 413 • 416L • 417L

374/0



**Extension for attachment**

381 A • 381 B • 381 C • 381 D • 381 E • 381 F • 381 G • 382 A • 382 B • 382 C • 382 D • 382 E •  
382 F • 382 G • 383 A • 383 B • 383 C • 383 D • 383 E • 383 F • 383 G • 384 A • 384 B • 384 C  
• 384 D • 384 E • 384 F • 384 G • 385 A • 385 B • 385 C • 385 D • 385 E • 385 F • 385 G • 386  
A • 386 B • 386 C • 386 D • 386 E • 386 F • 386 G • 420L • 421L • 430L • 431L • 440L • 441L •  
430XL • 420XL • 440XL • 425L • 425XL • 435L • 435XL • 445L • 445XL • 381 NA • 381 NB • 382  
NA • 382 NB • 383 NA • 383 NB • 384 NA • 384 NB • 385 NA • 385 NB • 386 NA • 386 NB  
• 420 NL • 421 NL • 420 N XL • 425 NL • 425 N XL • 801 N • 804 N • 801 • 804

389



**Large sifter**

381 A • 381 B • 381 C • 381 D • 381 E • 381 F • 381 G • 382 A • 382 B • 382 C • 382 D • 382 E  
382 F • 382 G • 383 A • 383 B • 383 C • 383 D • 383 E • 383 F • 383 G • 384 A • 384 B • 384 C  
• 384 D • 384 E • 384 F • 384 G • 385 A • 385 B • 385 C • 385 D • 385 E • 385 F • 385 G • 386  
A • 386 B • 386 C • 386 D • 386 E • 386 F • 386 G • 420L • 430L • 440L • 421L • 431L • 441L  
• 420 XL • 430 XL • 440 XL • 381 NA • 381 NB • 382 NA • 382 NB • 383 NA • 383 NB • 384  
NA • 384 NB • 385 NA • 385 NB • 386 NA • 386 NB • 420 NL • 421 NL • 420 N XL • 425 N  
L • 425 N XL • 801 N • 804 N • 801 • 804















327



**Small sifter**

411L • 413 • 416L • 417L • 411 NL • 413 N • 416 NL • 417 NL

377

	<b>Anti-odour closing trap (low)</b> 320N • 326N	344
	<b>Anti-odour closing trap (high)</b> 321N • 323N	348
	<b>Anti-odour closing trap</b> 411L • 413 • 411NL • 413N	373/0
	<b>Anti-odour closing trap PVS DN50, DN75 100 x 100</b> 416L • 417L • 416NL • 417NL	385/1
	<b>Anti-odour closing trap (low)</b> 420L • 430L • 440L • 425L • 435L • 445L • 420NL • 425NL	321/0
	<b>Anti-odour closing trap (high)</b> 421L • 431L • 441L • 421NL	320/0
	<b>NEPTUNE, large float</b> 320XN • 326XN	344/5
	<b>NEPTUNE, small float</b> 420XL • 430XL • 440XL • 425XL • 435XL • 445XL • 420NXL • 425NXL	321/5
	<b>Water-filled anti-odour protection</b> 381A • 381B • 381C • 381D • 381E • 381F • 382A • 382B • 382C • 382D • 382E • 382F • 383A • 383B • 383C • 383D • 383E • 383F • 384A • 384B • 384C • 384D • 384E • 384F • 385A • 385B • 385C • 385D • 385E • 385F • 386A • 386B • 386C • 386D • 386E • 386F • 381NA • 381NB • 382NA • 382NB • 383NA • 383NB • 384NA • 384NB • 385NA • 385NB • 386NA • 386NB	383
	<b>Water-filled anti-odour protection for PVP</b> 428V • 448V	378
	<b>Dry flap for PVP</b> 428S • 448S	379
	<b>Dry flap</b> 381A • 381B • 381C • 381D • 381E • 381F • 381G • 382A • 382B • 382C • 382D • 382E • 382F • 382G • 383A • 383B • 383C • 383D • 383E • 383F • 383G • 384A • 384B • 384C • 384D • 384E • 384F • 384G • 385A • 385B • 385C • 385D • 385E • 385F • 385G • 386A • 386B • 386C • 386D • 386E • 386F • 386G • 381NA • 381NB • 382NA • 382NB • 383NA • 383NB • 384NA • 384NB • 385NA • 385NB • 386NA • 386NB	384
	<b>Attachment for the all-stainless steel type (multi-inlet floor drain)</b> 448S • 448V	386/7
	<b>Attachment for the stainless steel type (multi-inlet floor drain)</b> 428S • 428V	386/6



**Stainless steel flange (+ 5 screws)**

381 B • 381 D • 381 F • 382 B • 382 D • 382 F • 383 B • 383 D • 383 F • 384 B • 384 D • 384 F • 385 B • 385 D • 385 F • 386 B • 386 D • 386 F • 381 NB • 382NB • 383NB • 384NB • 385NB • 386NB

393



**Sealing kit, 2 pieces**

381 A • 381 B • 381 C • 381 D • 381 E • 381 F • 381 G • 382 A • 382 B • 382 C • 382 D • 382 E • 382 F • 382 G • 383 A • 383 B • 383 C • 383 D • 383 E • 383 F • 383 G • 384 A • 384 B • 384 C • 384 D • 384 E • 384 F • 384 G • 385 A • 385 B • 385 C • 385 D • 385 E • 385 F • 385 G • 386 A • 386 B • 386 C • 386 D • 386 E • 386 F • 386 G • 381 NB • 382NB • 383NB • 384NB • 385NB • 386NB

388/22



**Collar for isolation (220 x 220, D110)**

386/0 • 386 N • 386/3 • 386/5

390



**Sealing ring**

413 • 411L • 416L • 417L • 416NL • 417NL

388/3



**Sealing ring**

416L • 417L • 416NL • 417NL

388/4



**Sealing ring**

420L • 421L • 430L • 431L • 440L • 441L • 420XL • 430XL • 440XL • 425L • 425XL • 435L • 435XL • 445L • 445XL • 428S • 428V • 448S • 448V • 420NL • 425NL • 420NXL • 425NXL • 801 • 804 • 801 N • 804 N

388/6

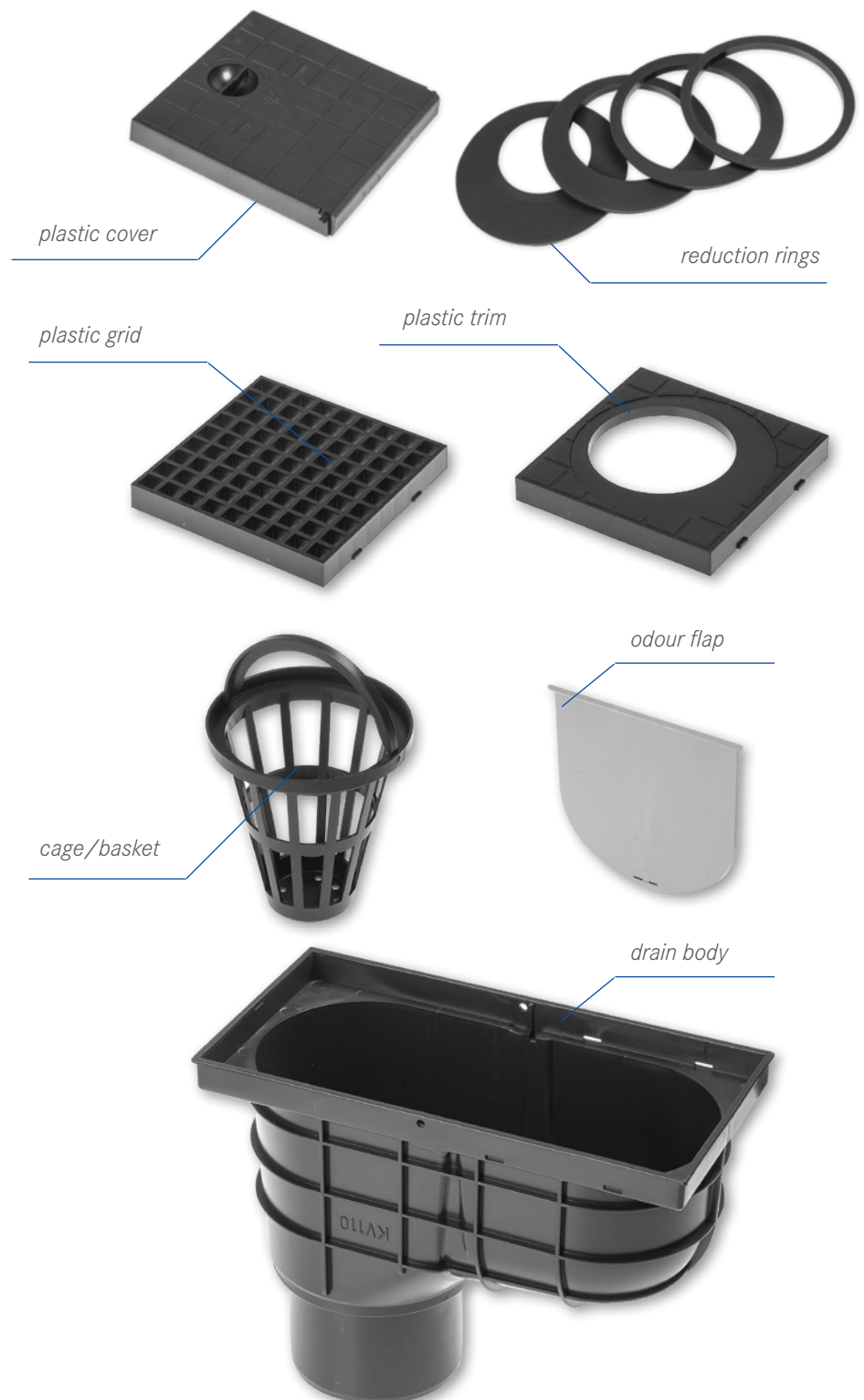


STREET DRAINS

# Outdoor street drains

The filters for roof solid floating particles are used to drain rain water into the sewage system and to filter the solid floating particles carried in the rain water on building roofs. To serve this purpose, they contain a removable basket with a handle and an anti-odour flap, preventing the backflow odour and corrosion.

The draining parts are made from UV stabilized polypropylene that are resistant to corrosion and ambient stress.



## BENEFITS

- bottom-outlet and side-outlet versions
- dimensions DN110, 125 and 110/125
- UV stabilized PP
- odour trap flap
- load K3 (300 kg)
- basket with a handle to sift out dirt

## Bottom street drain D110 and D125 – STANDARD

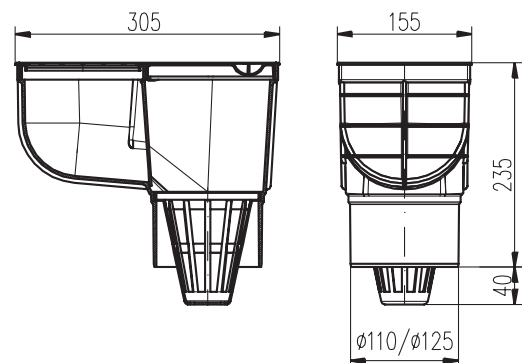
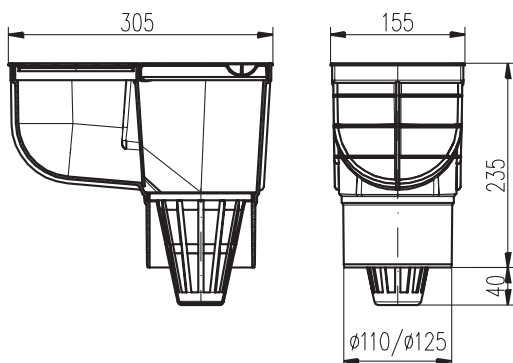
The product is intended to drain rain (surface) water into sewer systems outside buildings, with an option to connect gutter downpipes. It contains a dry odour trap flap to prevent the odour backflow from the sewage line. The product has an outlet of D110 or 125 mm. The eccentric reduction rings of the gutter downpipe in the STANDARD design is intended to cut out the diameter required, 75, 80, 90, 100, 110, 125 mm. The full drain version contains rings with nominal diameters of 75, 80, 90, 100, 110, 125 mm and a square grid. Made from UV stabilized polypropylene and PS. Load K3 (300 kg), heat resistance up to 90 °C, standard EN 1253.

STANDARD



Part number	Packaging [pcs/ pallet]	Flow rate [l/min]	Weight [kg/pc]	Finish	Colour
325 E	5/120	390	1,05	110	■
325 Es	5/120	390	1,05	110	■
325 F	5/120	530	1,05	125	■
325 Fs	5/120	530	1,05	125	■

Part number	Packaging [pcs/ pallet]	Flow rate [l/min]	Weight [kg/pc]	Finish	Colour
325 A	5/120	390	1,20	110	■
325 As	5/120	390	1,20	110	■
325 B	5/120	530	1,20	125	■
325 Bs	5/120	530	1,20	125	■



## Bottom street drain D110 and D125 – STANDARD/UNIVERSAL

The product is intended to drain rain (surface) water into sewer systems outside buildings, with an option to connect gutter downpipes. It contains a dry odour trap flap to prevent the odour backflow from the sewage line. The product features a combined outlet of DN110/125 mm. The eccentric reduction rings of the gutter downpipe in the STANDARD design is intended to cut out the diameter required, 75, 80, 90, 100, 110, 125 mm. The UNIVERSAL drain version contains rings with nominal diameters of 75, 80, 90, 100, 110, 125 mm and a square grid. Made from UV stabilized polypropylene and PS. Load K3 (300 kg), heat resistance up to 90 °C, standard EN 1253.

STANDARD

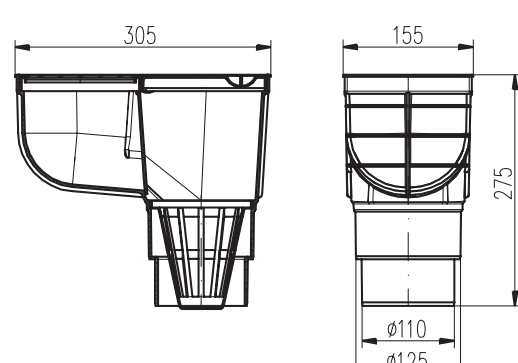
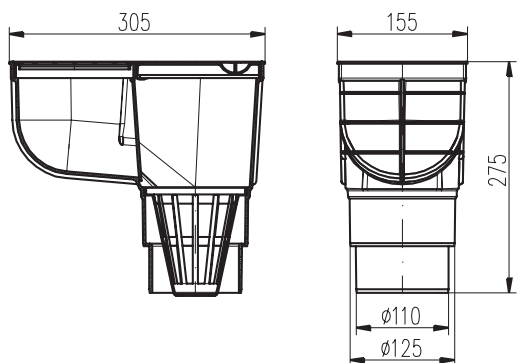


UNIVERZAL



Part number	Packaging [pcs/ pallet]	Flow rate [l/min]	Weight [kg/pc]	Finish	Colour
325 S	4/96	390/530	1,13	110/125	■
325 Ss	4/96	390/530	1,13	110/125	■

Part number	Packaging [pcs/ pallet]	Flow rate [l/min]	Weight [kg/pc]	Finish	Colour
325 C	4/96	390/530	1,25	110/125	■
325 Cs	4/96	390/530	1,25	110/125	■



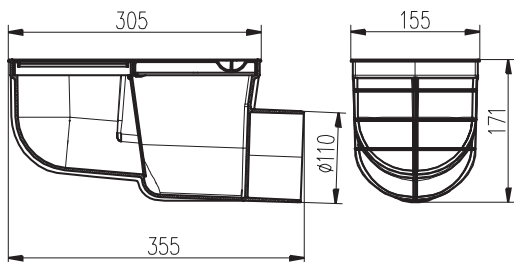
## Side street drain D110 – STANDARD

The product is intended to drain rain (surface) water into sewer systems outside buildings, with an option to connect gutter downpipes. It contains a dry odour trap flap to prevent the odour backflow from the sewage line. The design advantage consists in low installation height. The product contains a side outlet D110 mm. The eccentric reduction rings of the gutter downpipe in the STANDARD design is intended to cut out the diameter required, 75, 80, 90, 100, 110, 125 mm. The full drain version contains rings with nominal diameters of 75, 80, 90, 100, 110, 125 mm and a square grid. Made from UV stabilized polypropylene and PS. Load K3 (300 kg), heat resistance up to 90 °C, standard EN 1253.

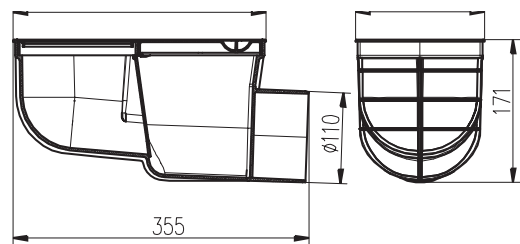
### STANDARD



Part number	Packaging [pcs/ pallet]	Flow rate [l/min]	Weight [kg/pc]	Finish	Colour
325 G	4/120	375	1,05	110	■
325 Gs	4/120	375	1,05	110	■



Part number	Packaging [pcs/ pallet]	Flow rate [l/min]	Weight [kg/pc]	Finish	Colour
325 D	4/120	375	1,14	110	■
325 Ds	4/120	375	1,14	110	■







## Side street drain D50 with a plastic / stainless steel / cast iron grid

WITHOUT COLLAR

WITH COLLAR



Products 332 S, 432 S, 332 S N, 432 S N and 332 S Li, 432 S Li contain a dry anti-odour flap and are installed outdoors. Products 332 V, 432 V, 332 VN, 432 VN, and 332 V Li, 432 V Li contain a water anti-odour protection and are installed indoors.

Products 332X, 432X, 332XN, 432XN and 332XLi, 432X Li contain a NEPTUNE float that closes the outlet, preventing thus the backflow of odour from the sewage line.

Made from polypropylene and PS, stainless steel DIN 1.4301 and cast iron DIN 1691. Load K3 (300 kg) and L15 (1,500 kg), heat resistance up to 90 °C and for NEPTUNE float up to 70 °C, standard EN 1253.



plastic grid



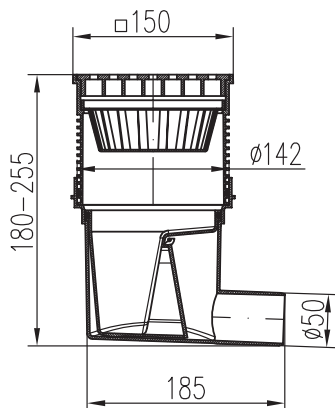
stainless steel grid



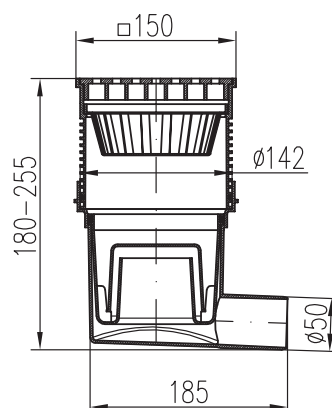
cast iron grid

Part number	Type grid	Packaging [pcs/ pallet]	Flow rate [l/min]	Weight [kg/pc]
332 S	plastic	6/144	95	0,90
332 V	plastic	6/144	70	0,90
332 X	plastic	6/144	53-67	0,90
332 S N	stainless steel	6/144	77	1,02
332 V N	stainless steel	6/144	55	1,02
332 X N	stainless steel	6/144	48-61	1,02
332 S Li	cast iron	6/144	85	1,92
332 V Li	cast iron	6/144	68	1,92
332 X Li	cast iron	6/144	50-65	1,92

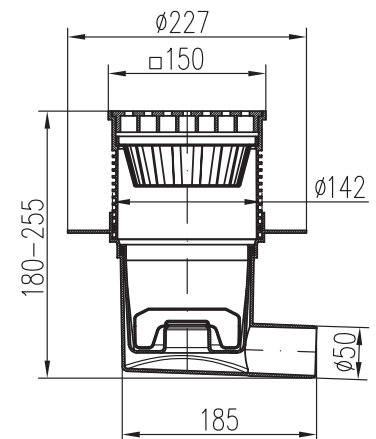
Part number	Type grid	Packaging [pcs/ pallet]	Flow rate [l/min]	Weight [kg/pc]	Finish
432 S	plastic	1/48	95	0,95	collar
432 V	plastic	1/48	70	0,95	collar
432 X	plastic	1/48	53-67	0,95	collar
432 S N	stainless steel	1/48	77	1,07	collar
432 V N	stainless steel	1/48	55	1,07	collar
432 X N	stainless steel	1/48	48-61	1,07	collar
432 S Li	cast iron	1/48	85	1,97	collar
432 V Li	cast iron	1/48	68	1,97	collar
432 X Li	cast iron	1/48	50-65	1,97	collar



Option with dry anti-odour flap



Option with water anti-odour protection



Option with NEPTUNE float

## Side street drain D75 with a plastic / stainless steel / cast iron grid

WITHOUT COLLAR

WITH COLLAR



Products 333 S, 433 S, 333 S N, 433 S N and 333 S Li, 433 S Li contain a dry anti-odour flap and are installed outdoors. Products 333 V, 433 V, 333 V N, 433 V N and 333 V Li, 433 V Li contain a water anti-odour protection and are installed indoors.

Products 333 X, 433 X, 333 X N, 433 X N and 333 X Li, 433 X Li contain a NEPTUNE float that closes the outlet, preventing thus the backflow of odour from the sewage line.

Made from polypropylene and PS, stainless steel DIN 1.4301 and cast iron DIN 1691. Load K3 (300 kg) and L15 (1,500 kg), heat resistance up to 90 °C and for NEPTUNE float up to 70 °C, standard EN 1253.



plastic grid



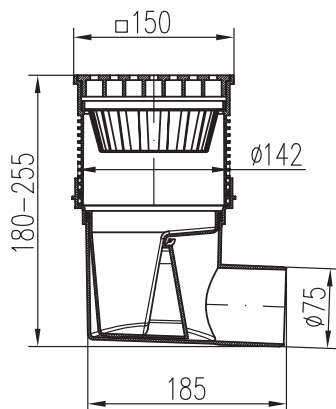
stainless steel grid



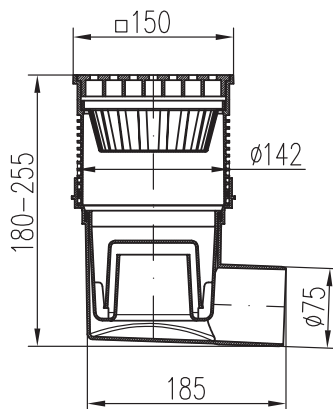
cast iron grid

Part number	Type grid	Packaging [pcs/pallet]	Flow rate [l/min]	Weight [kg/pc]
333 S	plastic	6/144	105	0,94
333 V	plastic	6/144	80	0,94
333 X	plastic	6/144	55-74	0,94
333 S N	stainless steel	6/144	92	1,07
333 V N	stainless steel	6/144	60	1,07
333 X N	stainless steel	6/144	50-65	1,07
333 S Li	cast iron	6/144	100	1,97
333 V Li	cast iron	6/144	75	1,97
333 X Li	cast iron	6/144	55-68	1,97

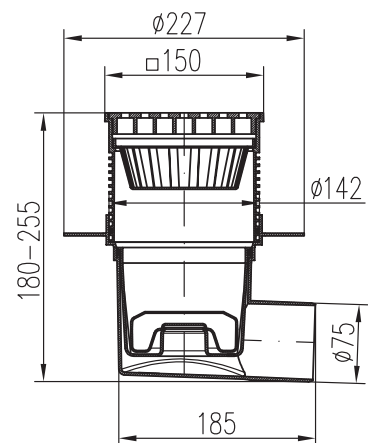
Part number	Type grid	Packaging [pcs/pallet]	Flow rate [l/min]	Weight [kg/pc]	Finish
433 S	plastic	1/48	105	0,99	collar
433 V	plastic	1/48	80	0,99	collar
433 X	plastic	1/48	55-74	0,99	collar
433 S N	stainless steel	1/48	92	1,12	collar
433 V N	stainless steel	1/48	60	1,12	collar
433 X N	stainless steel	1/48	50-65	1,12	collar
433 S Li	cast iron	1/48	100	2,02	collar
433 V Li	cast iron	1/48	75	2,02	collar
433 X Li	cast iron	1/48	55-68	2,02	collar



Option with dry anti-odour flap



Option with water anti-odour protection



Option with NEPTUNE float

## Side street drain D110 with a plastic / stainless steel / cast iron grid

WITHOUT COLLAR

WITH COLLAR



Products 324 S, 424 S, 324 S N, 424 S N and 324 S Li, 424 S Li contain a dry anti-odour flap and are installed outdoors. Products 324 V, 424 V, 324 V N, 424 V N and 324 V Li, 424 V Li contain a water anti-odour protection and are installed indoors.

Products 324 X, 424 X, 324 X N, 424 X N and 324 X Li, 424 X Li contain a NEPTUNE float that closes the outlet, preventing thus the backflow of odour from the sewage line.

Made from polypropylene and PS, stainless steel DIN 1.4301 and cast iron DIN 1691. Load K3 (300 kg) and L15 (1,500 kg), heat resistance up to 90 °C and for NEPTUNE float up to 70 °C, standard EN 1253.



plastic grid



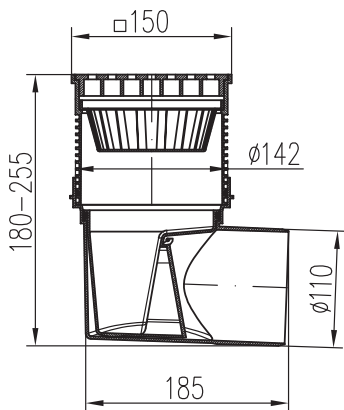
stainless steel grid



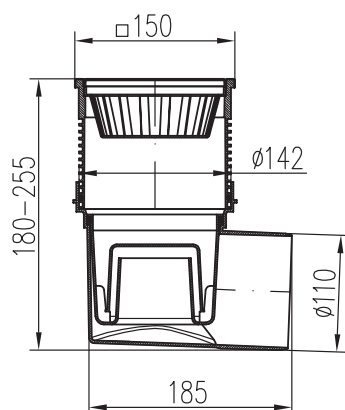
cast iron grid

Part number	Type grid	Packaging [pcs/ pallet]	Flow rate [l/min]	Weight [kg/pc]
324 S	plastic	6/144	165	0,98
324 V	plastic	6/144	105	0,98
324 X	plastic	6/144	60-90	0,98
324 S N	stainless steel	6/144	130	1,11
324 V N	stainless steel	6/144	95	1,11
324 X N	stainless steel	6/144	60-80	1,11
324 S Li	cast iron	6/144	145	2,01
324 V Li	cast iron	6/144	110	2,01
324 X Li	cast iron	6/144	65-85	2,01

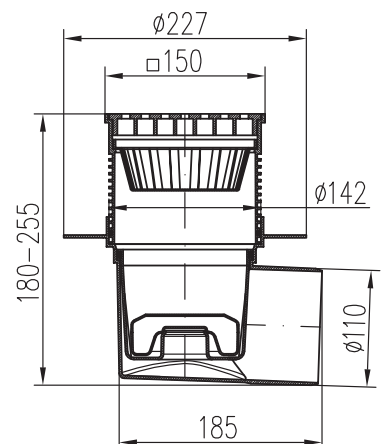
Part number	Type grid	Packaging [pcs/ pallet]	Flow rate [l/min]	Weight [kg/pc]	Finish
424 S	plastic	1/48	165	1,03	collar
424 V	plastic	1/48	105	1,03	collar
424 X	plastic	1/48	60-90	1,03	collar
424 S N	stainless steel	1/48	130	1,16	collar
424 V N	stainless steel	1/48	95	1,16	collar
424 X N	stainless steel	1/48	60-80	1,16	collar
424 S Li	cast iron	1/48	145	2,06	collar
424 V Li	cast iron	1/48	110	2,06	collar
424 X Li	cast iron	1/48	65-85	2,06	collar



Option with dry anti-odour flap



Option with water anti-odour protection



Option with NEPTUNE float

Bottom street drain D110 with a collar and plastic / stainless steel / cast iron grid



327 S P



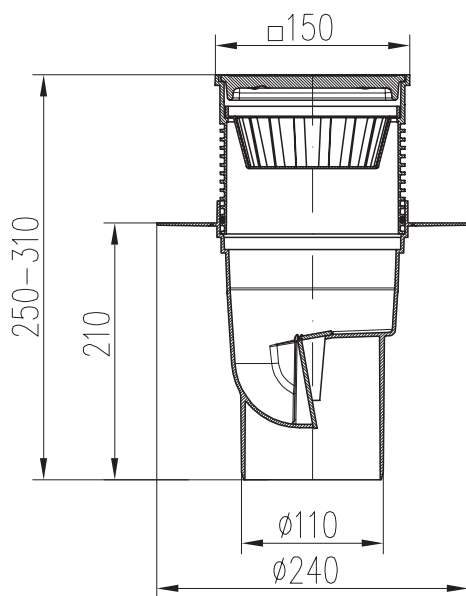
327 S N



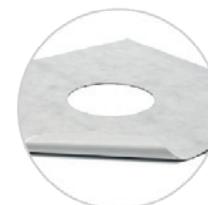
327 S Li

The products in 327 S series contain a dry anti-odour flap and are installed both outdoors and indoors. They are provided with a collar to connect waterproof membrane to the drain body. Made of UV stabilized polypropylene and PS, stainless steel DIN 1.4301 and grey cast iron DIN 1691. Load K3 (300 kg) and L15 (1,500 kg), heat resistance up to 90 °C, standard EN 1253.

Part number	Type grid	Packaging [pcs/ pallet]	Flow rate [l/min]	Weight [kg/pc]
327 S P	plastic	4/72	185	1,13
327 S N	stainless steel	4/72	155	1,25
327 S Li	cast iron	4/72	170	2,16



With dry odour flap



can be ordered with waterproof membrane 391/3

## Side street drain D75 - 250 with a cast iron / plastic grid

WITHOUT COLLAR

WITH COLLAR



The drains contain a dry anti-odour flap, as well as a water anti-odour protection or a NEPTUNE float. The street drains are installed both indoors and outdoors and can fit into a pipeline of D75. Made of UV stabilized polypropylene and PS and from grey cast iron DIN 1691. Load compliant to EN 124-B 125 (12,500 kg) and a polypropylene grid compliant to EN 1253 L15 (1,500 kg), with heat resistance up to 90 °C, (for option NEPTUNE float up to 70 °C).



cast iron grid



cast iron grid with screws



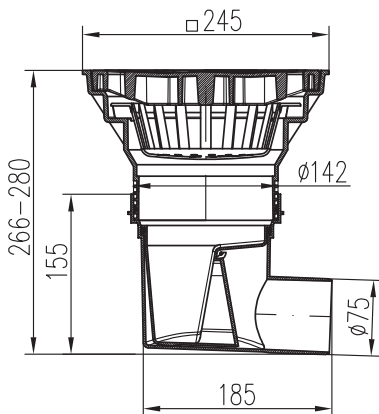
plastic grid



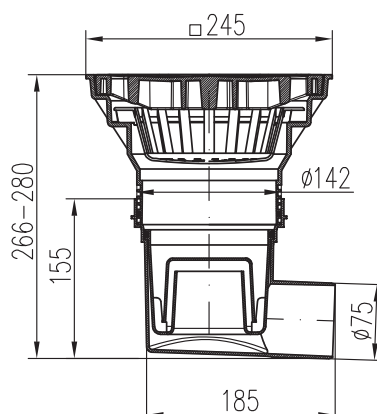
plastic grid with screws

Part number	Type grid	Packaging [pcs/ pallet]	Flow rate [l/min]	Weight [kg/pc]
334 S	cast iron	1/48	185	7,00
334 V	cast iron	1/48	100	7,00
334 X	cast iron	1/48	77-89	7,00
334 Sz	cast iron with screws	1/48	185	7,00
334 Vz	cast iron with screws	1/48	100	7,00
334 Xz	cast iron with screws	1/48	77-89	7,00
335 S	plastic	1/48	185	1,60
335 V	plastic	1/48	100	1,60
335 X	plastic	1/48	77-89	1,60
335 Sz	plastic with screws	1/48	185	1,60
335 Vz	plastic with screws	1/48	100	1,60
335 Xz	plastic with screws	1/48	77-89	1,60

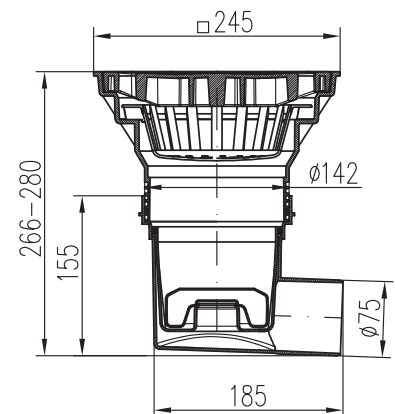
Part number	Type grid	Packaging [pcs/ pallet]	Flow rate [l/min]	Weight [kg/pc]	Finish
434 S	cast iron	1/48	185	7,05	collar
434 V	cast iron	1/48	100	7,05	collar
434 X	cast iron	1/48	77-89	7,05	collar
434 Sz	cast iron with screws	1/48	185	7,05	collar
434 Vz	cast iron with screws	1/48	100	7,05	collar
434 Xz	cast iron with screws	1/48	77-89	7,05	collar
436 S	plastic	1/48	185	1,65	collar
436 V	plastic	1/48	100	1,65	collar
436 X	plastic	1/48	77-89	1,65	collar
436 Sz	plastic with screws	1/48	185	1,65	collar
436 Vz	plastic with screws	1/48	100	1,65	collar
436 Xz	plastic with screws	1/48	77-89	1,65	collar



Option with dry anti-odour flap and cast iron grid



Option with water anti-odour protection



Option with NEPTUNE float and plastic grid

## Side street drain D110 - 250 with a cast iron / plastic grid

WITHOUT COLLAR

WITH COLLAR



The drains contain a dry anti-odour flap as well as a water anti-odour protection or a NEPTUNE float. The street drains are installed both indoors and outdoors and can fit into a pipeline of D110. Made of UV stabilized polypropylene and PS and from grey cast iron DIN 1691. Load compliant to EN 124-B 125 (12,500 kg) and a polypropylene grid compliant to EN 1253 L15 (1,500 kg), with heat resistance up to 90 °C, (for option NEPTUNE float up to 70 °C).



cast iron grid



cast iron grid with screws



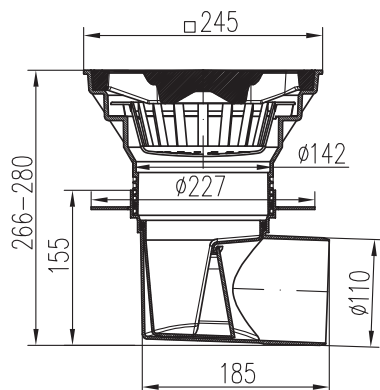
plastic grid



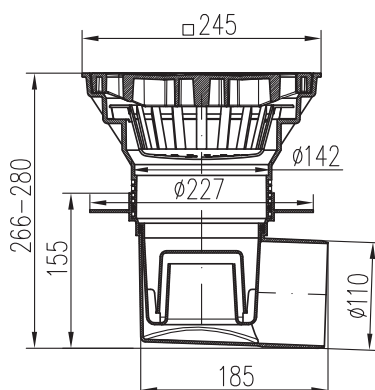
plastic grid with screws

Part number	Type grid	Packaging [pcs/ pallet]	Flow rate [l/min]	Weight [kg/pc]
329 S	cast iron	1/48	225	7,00
329 V	cast iron	1/48	115	7,00
329 X	cast iron	1/48	86-98	7,00
329 Sz	cast iron with screws	1/48	225	7,00
329 Vz	cast iron with screws	1/48	115	7,00
329 Xz	cast iron with screws	1/48	86-98	7,00
330 S	plastic	1/48	225	1,70
330 V	plastic	1/48	115	1,70
330 X	plastic	1/48	86-98	1,70
330 Sz	plastic with screws	1/48	225	1,70
330 Vz	plastic with screws	1/48	115	1,70
330 Xz	plastic with screws	1/48	86-98	1,70

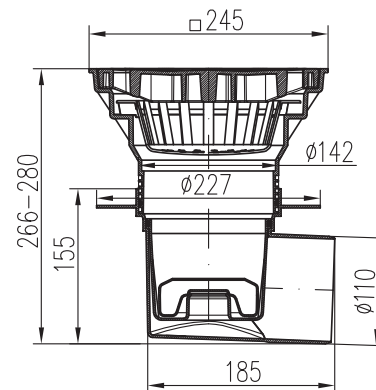
Part number	Type grid	Packaging [pcs/ pallet]	Flow rate [l/min]	Weight [kg/pc]	Finish
429 S	cast iron	1/48	225	7,05	collar
429 V	cast iron	1/48	115	7,05	collar
429 X	cast iron	1/48	86-98	7,05	collar
429 Sz	cast iron with screws	1/48	225	7,05	collar
429 Vz	cast iron with screws	1/48	115	7,05	collar
429 Xz	cast iron with screws	1/48	86-98	7,05	collar
437 S	plastic	1/48	225	1,75	collar
437 V	plastic	1/48	115	1,75	collar
437 X	plastic	1/48	86-98	1,75	collar
437 Sz	plastic with screws	1/48	225	1,75	collar
437 Vz	plastic with screws	1/48	115	1,75	collar
437 Xz	plastic with screws	1/48	86-98	1,75	collar



Option with dry anti-odour flap and cast iron grid



Option with water anti-odour protection



Option with NEPTUNE float and plastic grid

## Bottom street drain D110 - 250 with collar and with a cast iron / plastic grid



The drain is available in four options: 331 with a cast iron grid, 331z with a cast iron grid fastened with screws, 331 P with a plastic grid, and 331 Pz with a plastic grid fastened with screws. The products contain a dry anti-odour flap and are installed outdoors. They can fit into piping systems of D 110. They are provided with a collar to connect waterproof membrane to the drain body.

Made of UV stabilized polypropylene and PS and from grey cast iron DIN 1691. Load compliant to EN 124-B 125 (12,500 kg) and a polypropylene grid compliant to EN 1253 L15 (1,500 kg), with heat resistance up to 90 °C.



cast iron grid



cast iron grid with screws

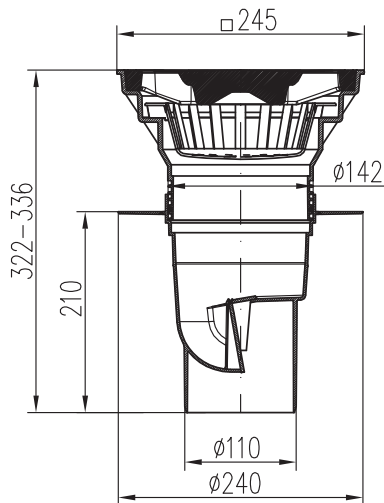


plastic grid

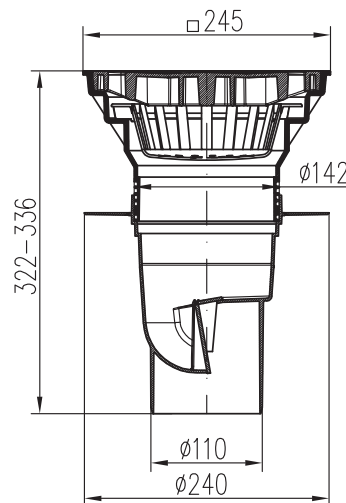


plastic grid with screws

Part number	Type grid	Packaging [pcs/ pallet]	Flow rate [l/min]	Weight [kg/pc]
331	cast iron	1 / 48	235	7,00
331z	cast iron with screws	1 / 48	235	7,00
331 P	plastic	1 / 48	235	1,70
331 Pz	plastic with screws	1 / 48	235	1,70



With cast iron grid



With plastic grid



can be ordered with waterproof membrane 391/3



## Bottom street drain D160 with a cast iron / plastic grid



The drain is available in four options: 328 with a cast iron grid, 328z with a cast iron grid fastened with screws, 328 P with a plastic grid, and 328 Pz with a plastic grid fastened with screws.

The products contain a dry anti-odour flap and are installed outdoors. They can fit into piping systems of D110 or D160. Made of UV stabilized polypropylene and PS and from grey cast iron DIN 1691. Load compliant to EN 124-B 125 (12,500 kg) and a polypropylene grid compliant to EN 1253 L15 (1,500 kg), with heat resistance up to 90 °C.



cast iron grid



cast iron grid with screws

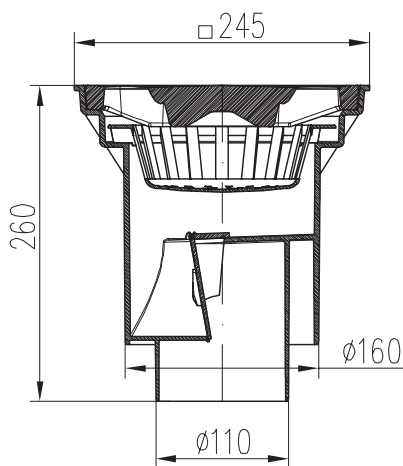


plastic grid

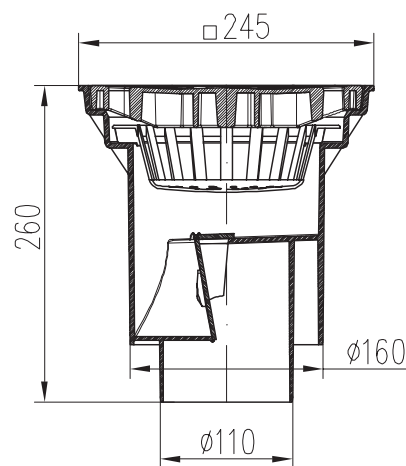


plastic grid with screws

Part number	Type grid	Packaging [pcs/ pallet]	Flow rate [l/min]	Weight [kg/pc]
328	cast iron	1/48	250	7,00
328z	cast iron with screws	1/48	250	7,00
328 P	plastic	1/48	250	1,70
328 Pz	plastic with screws	1/48	250	1,70



With cast iron grid



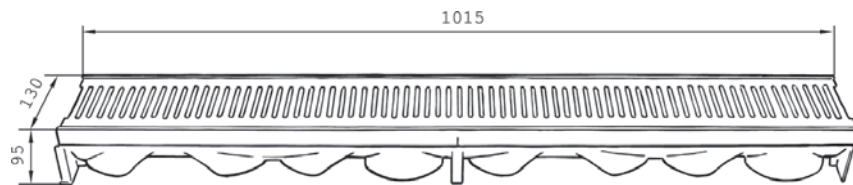
With plastic grid

## Exterior gutter D110 with zinc plated / plastic grids

The gutter series CH 900 and CH 900 M are made of UV-stabilised PP and supplied in two options. CH 900 - steel zinc plated grid, loading capacity 1 500 kg. CH 900 M - plastic grid, loading capacity 300 kg. Loading capacity compliant to EN 1433-A-15. Designed for areas used by pedestrians and cyclists, as well as for driveways, etc.



Part number	Type	Packaging [pcs/ pallet]	Weight [kg/pc]	Load capacity [kg]
CH 900	zinc plated grip	1/ 100	2,00	1 500
CH 900 M	plastic grid	1/ 100	1,60	300

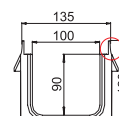
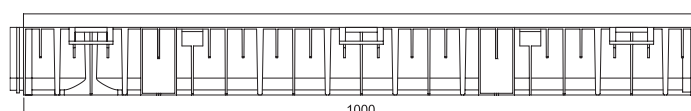
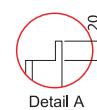
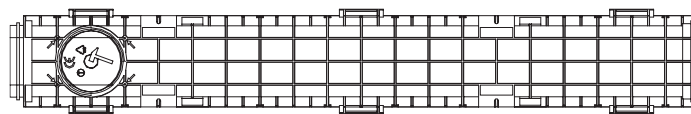


## Exterior gutter D110 with zinc plated / cast-iron grid









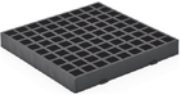
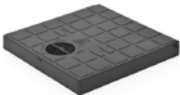
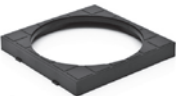




The outdoor gutter CH 1000 with zinc plated grid is ideal for draining civil buildings, traffic areas intended for cyclists and pedestrians, driveways and footpaths, sidewalks, parking for cars, loading capacity 1500 kg, according to EN 1433-A 15. The outdoor gutter CH 1001 is with cast-iron grid, loading capacity 12 500 kg, according to EN 1433-B 125. Made of HD-PE with UV stabilizers and cast-iron according DIN 1691.



Part number	Type	Packaging [pcs/ pallet]	Weight [kg/pc]	Load capacity [kg]
CH 1000	zinc plated grid	1/54	3,00	1 500
CH 1001	cast-iron grid	1/54	7,20	12 500





	<b>Plastic grid 150 x 150</b> 324 S • 324 V • 327 S P • 332 S • 332 V • 332 X • 333 S • 333 V • 333 X	350
	<b>Stainless steel grid, round (D 137)</b> 324 S N • 324 V N • 327 S N • 332 S N • 332 V N • 332 X N • 333 S N • 333 V N • 333 X N	347
	<b>Cast iron grid 150 x 150</b> 324 S Li • 324 V Li • 327 S Li • 332 S Li • 332 V Li • 332 X Li • 333 S Li • 333 V Li • 333 S Li	341/1
	<b>Cast iron grid 250 x 250</b> 328 • 329 S • 329 V • 331 • 334 S • 334 V • 334 X • 329 X	341/2
	<b>Cast iron grid, 250 x 250, with screw holes</b> 328z • 329 Sz • 329 Vz • 331z • 334 Sz • 334 Vz • 334 Xz • 329 Xz	341/3
	<b>Plastic grid 250 x 250</b> 328 P • 330 S • 330 V • 331 P • 335 S • 335 V • 335 X • 330 X	350/1
	<b>Plastic grid, 250 x 250, with screw holes</b> 328 Pz • 330 Sz • 330 Vz • 331 Pz • 335 Sz • 335 Vz • 335 Xz • 330 Xz	350/2
	<b>2 stainless screws and Torx key</b> 328z • 328 Pz • 329 Sz • 329 Vz • 330 Sz • 330 Vz • 331z • 331 Pz • 334 Sz • 334 Vz 334 Xz • 329 Xz • 335 Sz • 335 Vz • 335 Xz • 330 Xz	341/6
	<b>Plastic grid</b> 325 A • 325 B • 325 C • 325 D (grey)	334 334/5 (grey)
	<b>Plastic cover</b> 325 A • 325 B • 325 C • 325 D • 325 E • 325 F • 325 G • 325 S	332 332/5 (grey)
	<b>Plastic trim</b> 325 A • 325 B • 325 C • 325 D • 325 E • 325 F • 325 G • 325 S (grey)	333 333/5 (grey)
	<b>Plastic trim insert STANDARD</b> 325 E • 325 F • 325 S • 325 G	339 339/5 (grey)
	<b>Set for side connections D 110</b> CH 1000 • CH 1001	CH 1003
	<b>Set for bottom connections D 110</b> CH 1000 • CH 1001	CH 1004
	<b>Cross transition piece</b> CH 1000	CH 1005



**Plastic trim inserts**

325 A • 325 B • 325 C • 325 D

338

338/5 (grey)



**Anti-odour flap**

325 A • 325 B • 325 C • 325 D • 325 E • 325 F • 325 G • 325 S • 332 S • 332 S N  
332 S Li • 333 S • 333 S N • 333 S Li

335



**Anti-odour flap**

327 S P • 327 S N • 327 S Li • 331 • 331z • 331 P • 331 Pz

355/4



**Anti-odour flap**

328 • 328z • 328 P • 328 Pz

355/5



**Anti-odour flap**

324 S • 324 S N • 324 S Li • 329 S • 329 Sz • 330 S • 330 Sz

355



**Water-filled anti-odour protection**

324 V • 324 V N • 324 V Li • 329 V • 329 Vz • 330 V • 330 Vz • 332 V • 332 V N • 332 V Li  
333 V • 333 V N • 333 V Li

357



**Big floater NEPTUNE**

332 X • 332 X N • 332 X Li • 333 X • 333 X N • 333 X Li • 324 X • 324 X N • 324 X Li  
334 Xz • 335 Xz • 329 Xz • 330 X • 334 X • 335 X • 329 X • 330 Xz

358



**Basket**

325 A • 325 B • 325 C • 325 E • 325 F • 325 S

337



**Basket**

324 S • 324 V • 324 S N • 324 V N • 324 S Li • 324 V Li • 327 S P • 327 S N • 327 S Li • 324 X •  
324 X N • 324 X Li • 332 S • 332 V • 332 X • 332 S N • 332 V N • 332 X N • 332 S Li • 332 V Li •  
332 X Li • 333 S • 333 V • 333 X • 333 S N • 333 V N • 333 X N • 333 S Li • 333 V Li • 333 X Li

352



**Basket for KVS 160**

328 • 328z • 329 S • 329 V • 329 Sz • 329 Vz • 330 S • 330 V • 330 Sz • 330 Vz • 331  
• 331z • 331 P • 331 Pz • 334 S • 334 V • 334 X • 334 Sz • 334 Vz • 334 Xz • 335 S  
• 335 V • 335 X • 335 Sz • 335 Vz • 335 Xz • 329 X • 329 Xz • 330 X • 330 Xz

352/5



**Extension for KVB + KVS**

324 S • 324 V • 324 S Li • 324 110 V Li • 327 S P • 327 S Li • 324 X • 324 X Li • 332 S • 332 V •  
332 X • 332 S Li • 332 V Li • 332 X Li • 333 S • 333 V • 333 X • 333 S Li • 333 V Li • 333 X Li

359



**Extension KVB + KVS for stainless steel**

324 S N • 324 V N • 327 S N • 324 X N • 332 S N • 332 V N • 332 X N • 333 S N • 333 V N • 333 X N

354



**Large extension for KVS 250 x 250**

329 S • 329 V • 329 Sz • 329 Vz • 330 S • 330 V • 330 Sz • 330 Vz • 331 • 331z  
• 331 P • 331 Pz • 334 S • 334 V • 334 X • 334 Sz • 334 Vz • 334 Xz • 335 S • 335 V • 335 X  
• 335 Sz • 335 Vz • 335 Xz • 329 X • 330 X • 330 Xz

359/1



**Sealing kit, 2 pieces**

324 S • 324 V • 324 S N • 324 V N • 324 S Li • 324 V Li • 329 S • 329 V • 329 Sz • 329 Vz  
• 330 S • 330 V • 330 Sz • 330 Vz • 324 X, 324 X N, 324 X Li • 332 S • 332 V • 332 X • 332 S N •  
332 V N • 332 X N • 332 S Li • 332 V Li • 332 X Li • 333 S • 333 V • 333 X • 333 S N • 333 V N •  
333 X N • 333 S Li • 333 V Li • 333 X Li

388/9



**Sealing ring, 1 piece**

327 S P • 327 S N • 327 S Li • 331 • 331z • 331 P • 331 Pz

388/1



ROOF DRAINS

# Gravity and siphonic roof drains

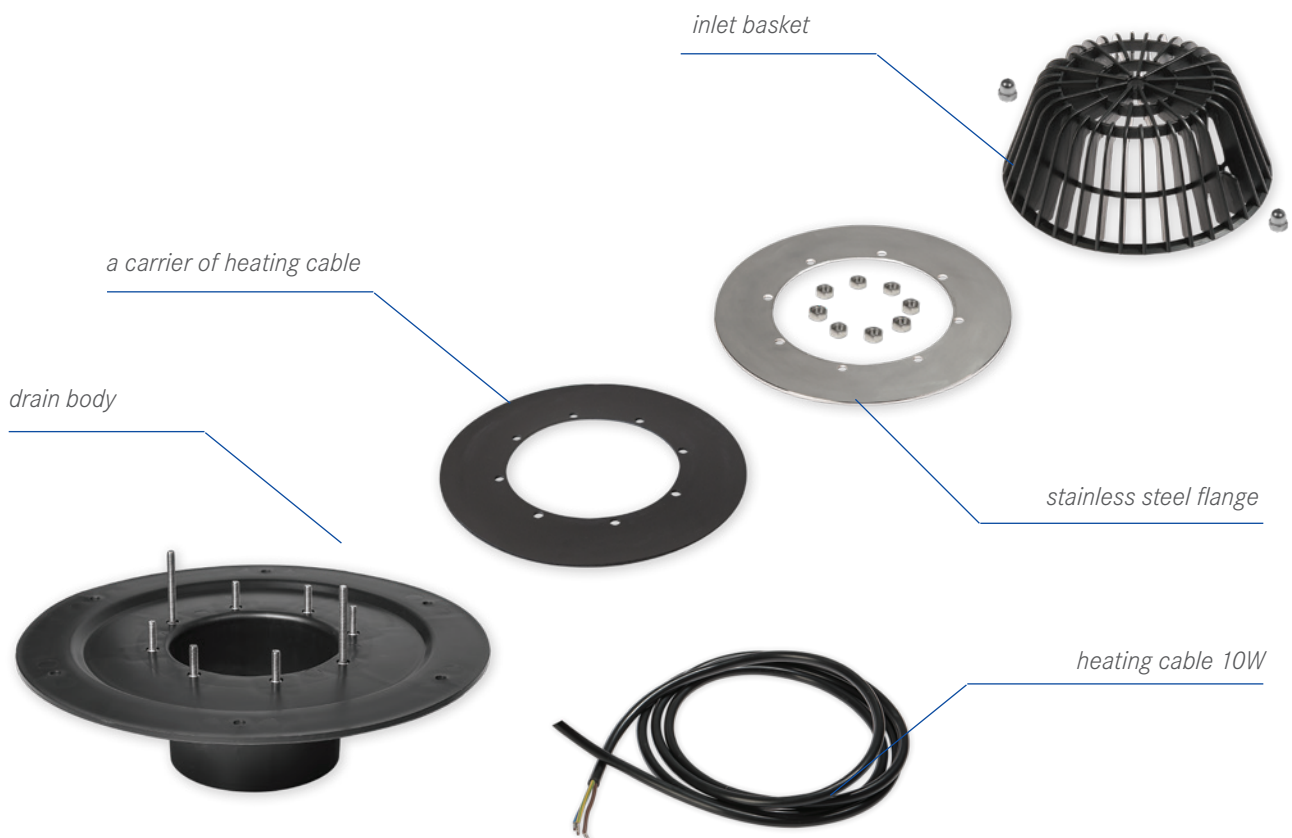
## GRAVITY ROOF DRAINS VORTEX:

The gravity roof drains are intended to drain rain water of flat roofs, compliant to EN 1253.

Vortex is made in three sizes: D75, D110 and D125. The top inlet basket prevents dirt from entering. For options Vortex SVG004, 005 and 006, the packaging contains a self-regulating heating cable with 10W of heating output to prevent the roof inlet from freezing.

## HYDROMAX ROOF DRAIN

The siphonic roof drain was designed specifically to drain rain water effectively of flat roofs, compliant to EN 1253. Hydromax is made from UV stabilized HPDE and contains a stainless steel flange, screws and nuts compliant with DIN 1.4301. For option Hydromax SV 002, the packaging contains a self-regulating heating cable with 10W of heating output to prevent the roof inlet from freezing. For bitumen roofing, 600 x 600 mm segment from stainless steel can be ordered.



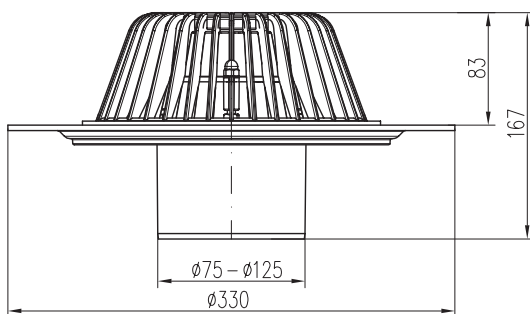
## Gravity roof drain Vortex D75/ D110/ D125

### VORTEX GRAVITY SYSTEM:

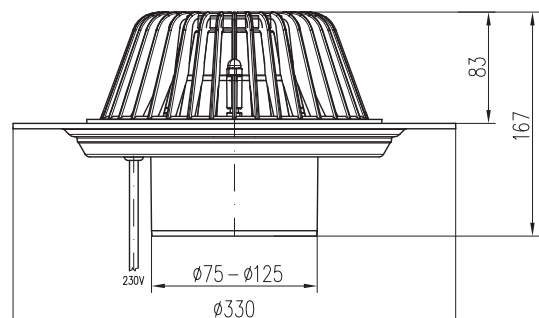
- a gravity drain compliant to EN 1253
- outlet sizes are D75, D110 and D125
- low purchasing cost
- weather resistant
- made from UV stabilised polypropylene
- suitable for roofs both with and without thermal insulation
- self-regulating heating cable



Part number	Type	Packaging [pcs]	Flow rate [l/mm]	Weight [kg/pc]
SVG 001	D 75	1	355	1,60
SVG 002	D 110	1	395	1,60
SVG 003	D 125	1	550	1,60
SVG 004	D75 with heating cable	1	355	1,90
SVG 005	D110 with heating cable	1	395	1,90
SVG 006	D125 with heating cable	1	550	1,90



Option without heating cable



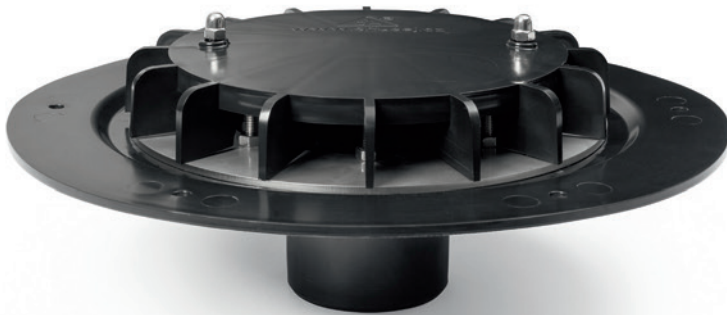
Option with heating cable



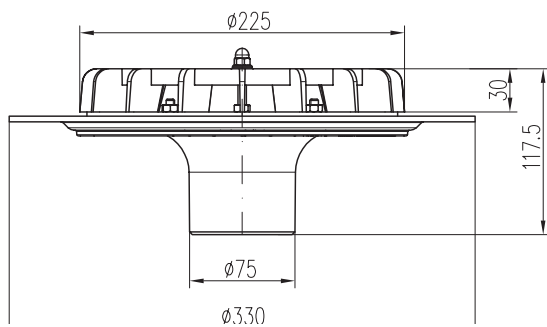
## Hydromax D75 roof drain

### HYDROMAX SIPHONIC SYSTEM:

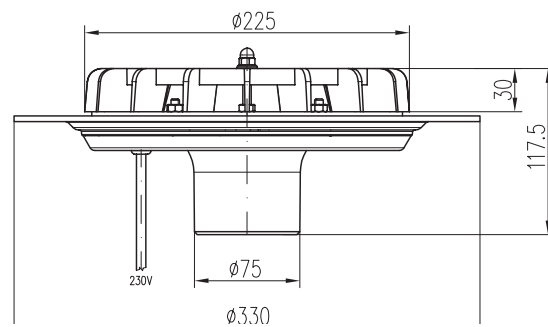
- high water flow rate up to 20 l/s
- weather resistant
- self-regulating heating cable
- using smaller pipe dimensions
- using fewer roof inlets owing to a high flow rate of water
- the high flow rate ensures self-cleaning



Part number	Type	Packaging (pcs)	Flow rate [l/mm]	Weight [kg/pc]
SV 001	D75	1	up to 1200	2,00
SV 002	D75 with heating cable	1	up to 1200	2,20



Option without heating cable



Option with heating cable

## 10 W heating cable

**Part number**

SV 003



## A carrier of heating cable

**Part number**

D 75 511/1

D 110 511/2

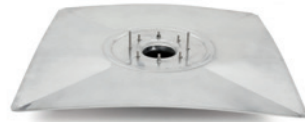
D 125 511/3



## Stainless steel segment 600 x 600

**Part number**

SV 004



## Inlet basket

**Part number**

510



## Stainless steel clamp ring

**Part number**

507



## Hydromax inducer

**Part number**

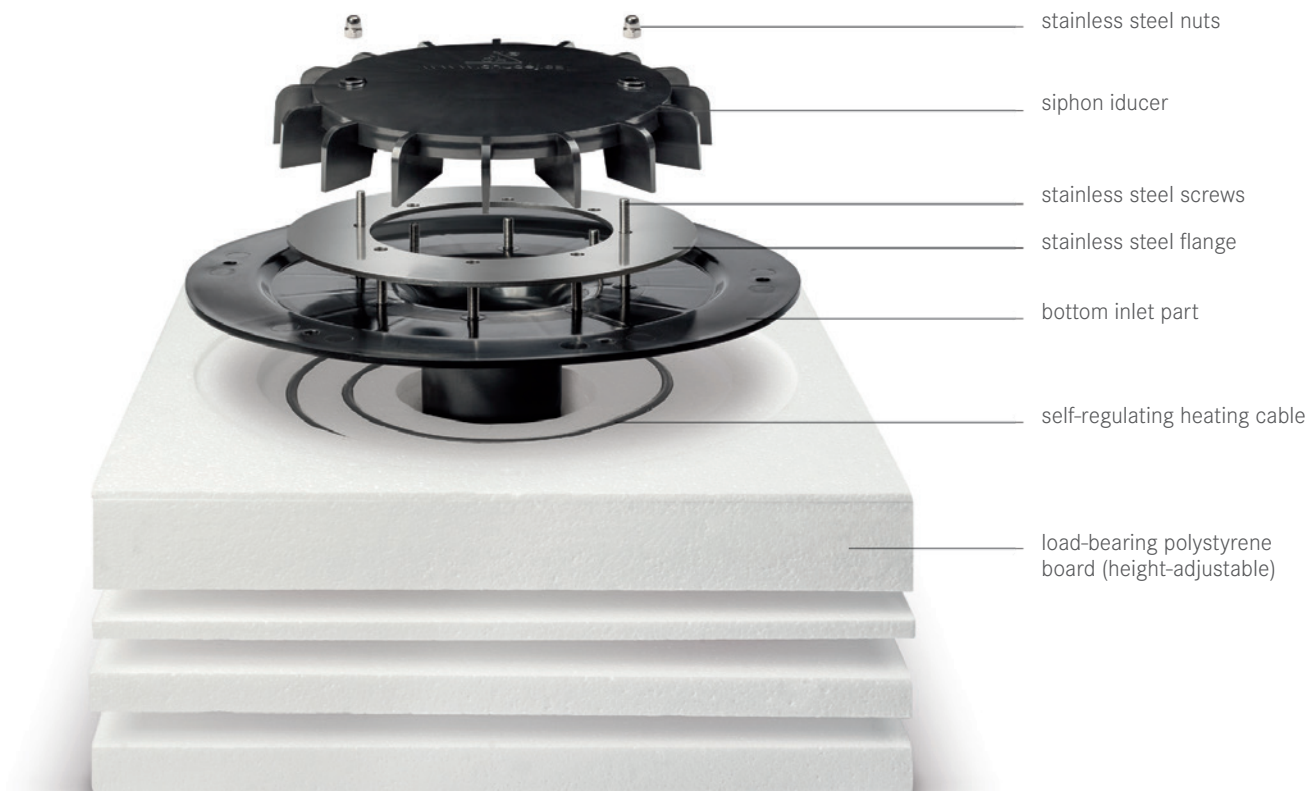
501



## Hydromax D75

In sprinkling rain and drizzle, the siphonic system for roof draining works the same ways as with the gravity design. However, in heavy and torrential rain, the small diameter will fill up fast with water, resulting in a pipe filled up. Water falls down the vertical downpipe as fast as a piston in an engine, producing vacuum in the piping.

A component of the siphonic system is the HYDROMAX roof drain. This special design of siphonic drain contains an integral air barrier to prevent the air from entering. This ensures an even water flow throughout the piping.





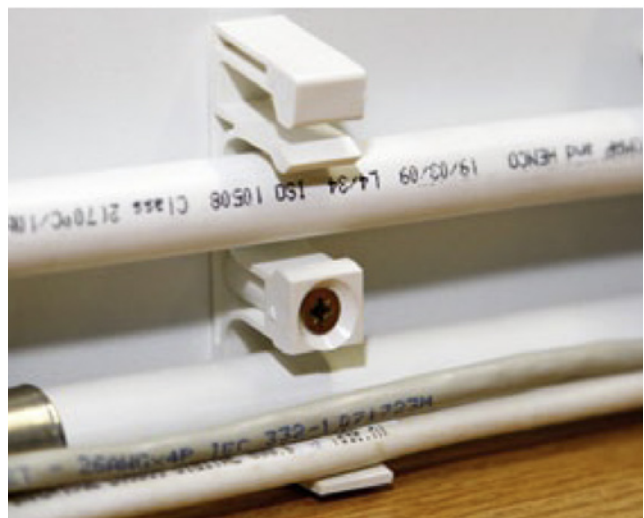
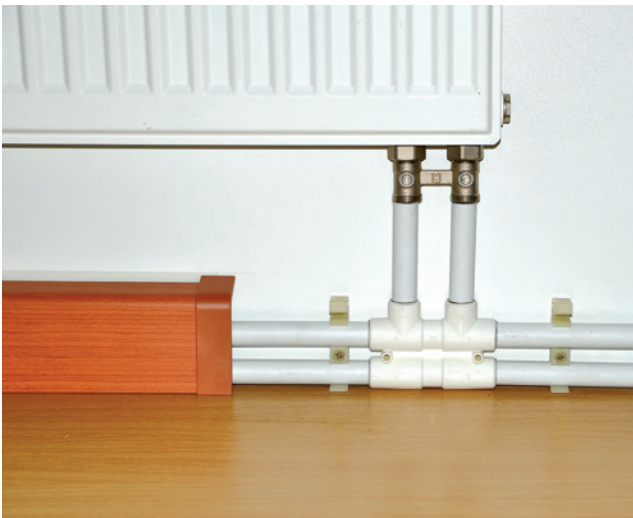
FOR-TOP SKIRTING  
BOARD TRIMS

# FOR TOP skirting board

The FOR TOP systems allows heating and cable ducts to be covered easily and fast with a skirting board. It is suitable for use in reconstructions and modernization as well as in new structures. Made from PVC.

## BENEFITS:

- easy to assemble and disassemble
- option use of skirting boards in different styles
- easy access for duct repair
- appealing look of skirting boards
- suitable for pipes with diameter 12 - 22 mm



For-top skirting boards – accessories



inner corner



outer corner



right end



left end



connecting piece



connecting trim



bracket

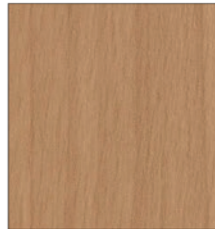
Colours



**White**  
RAL 9010



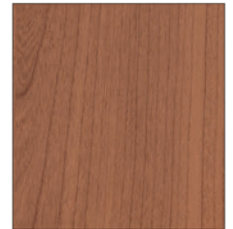
**Maple**  
F4231222



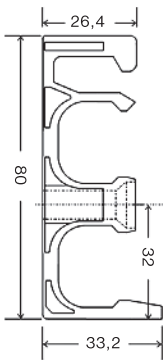
**Beech**  
F4231178



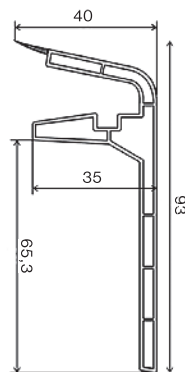
**Oak**  
F4231232



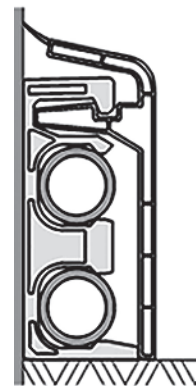
**Cherry**  
F4231224



Bracket



Skirting board



Section of pipe with skirt board

Part number	Name	Packaging [pcs]	Weight [kg/pc]
<b>SKIRTING BOARD (length 4 m)</b>			
FT 510	White	10	1,9
FT 511	Maple	10	1,9
FT 512	Beech	10	1,9
FT 514	Oak	10	1,9
FT 515	Cherry	10	1,9
<b>BRACKET FOR SKIRTING BOARD</b>			
FT 501	White	25	0,336
<b>SCREW DOWEL PIN</b>			
FT 308	8x80	25	0,313
<b>INSIDE CORNER FOR SKIRTING BOARD</b>			
FT 502	White	5	0,092
FT 502 A	Maple	5	0,092
FT 502 B	Beech	5	0,092
FT 502 D	Oak	5	0,092
FT 502 E	Cherry	5	0,092
<b>OUTER CORNER FOR SKIRTING BOARD</b>			
FT 503	White	5	0,08
FT 503 A	Maple	5	0,08
FT 503 B	Beech	5	0,08
FT 503 D	Oak	5	0,08
FT 503 E	Cherry	5	0,08
<b>CONNECTING PIECE FOR SKIRTING BOARD</b>			
FT 504	White	5	0,06
FT 504 A	Maple	5	0,06
FT 504 B	Beech	5	0,06
FT 504 D	Oak	5	0,06
FT 504 E	Cherry	5	0,06
<b>LEFT END PIECE FOR SKIRTING BOARDS</b>			
FT 505	White	5	0,07
FT 505 A	Maple	5	0,07
FT 505 B	Beech	5	0,07
FT 505 D	Oak	5	0,07
FT 505 E	Cherry	5	0,07
<b>RIGHT END PIECE FOR SKIRTING BOARDS</b>			
FT 506	White	5	0,07
FT 506 A	Maple	5	0,07
FT 506 B	Beech	5	0,07
FT 506 D	Oak	5	0,07
FT 506 E	Cherry	5	0,07
<b>CONNECTING TRIM</b>			
FT 520	White	1	0,16
FT 520 A	Maple	1	0,16
FT 520 B	Beech	1	0,16
FT 520 D	Oak	1	0,16
FT 520 E	Cherry	1	0,16

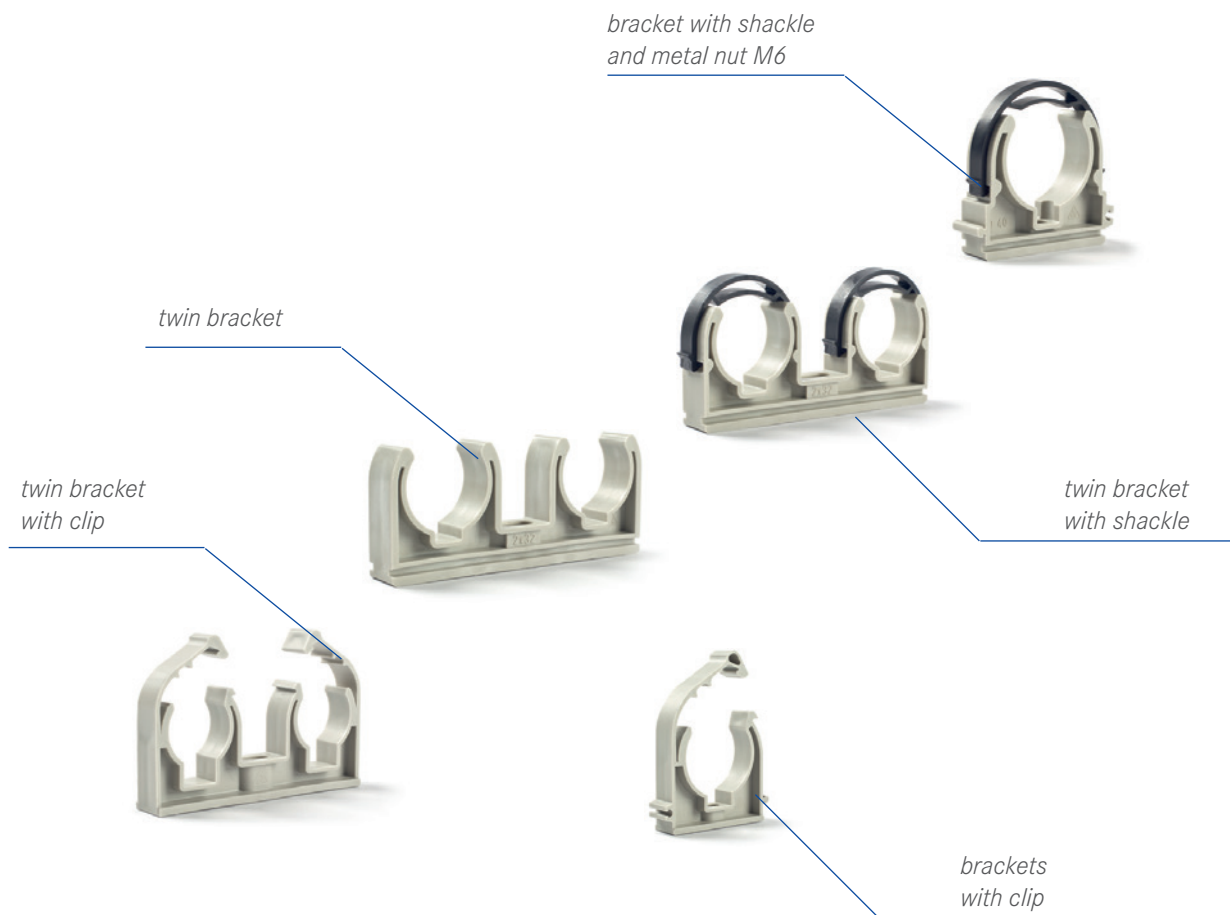


PLASTIC PIPE  
WALL BRACKETS



# Wall-fixing pipe brackets

A comprehensive range of clamps is used to fix all types of piping, namely PPR, CU, PEX, AL-PEX. The clamps are made from PP/PA, with a hole, oval, or M6 thread. Options with a clip, with and without a shackle. The assembly temperature range is 5 - 90 °C.



## BENEFITS

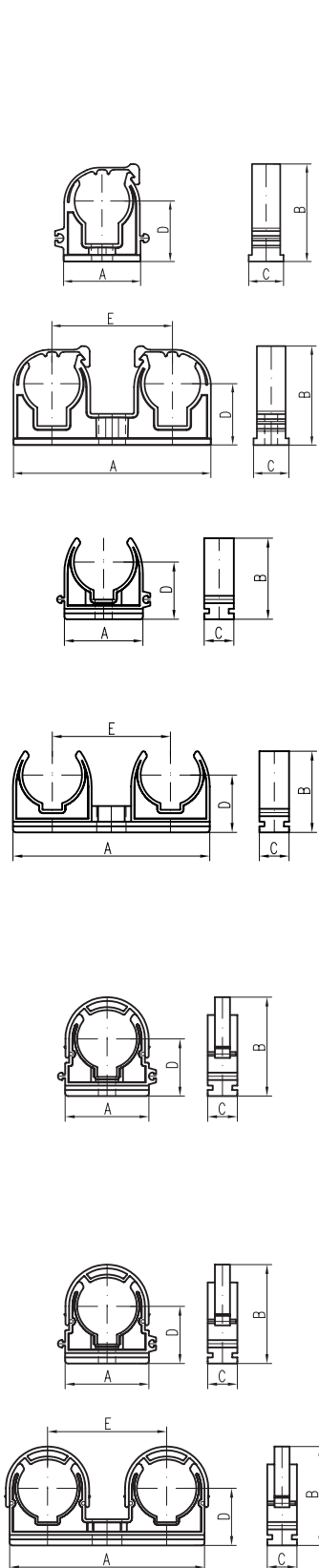
- simple assembly
- optionally fixed through the oval/round hole or with an M6 nut
- allowing to fix pipes up to D110
- low weight, very good strength
- options with a clip, with or without a shackle
- suitable for all pipe types: PPR, CU, PEX, AL-PEX

## Brackets for plastic pipes



Part number	Dimension [mm]	Pieces per bag	Pieces per box	Packaging weight [kg]
<b>BRACKET WITH CLIP</b>				
1K020P	20	50	500	3,76
1K025P	25	50	500	4,68
1K032P	32	50	500	6,30
1K040P	40	50	400	8,30
1K050P	50	25	100/200	3,00/5,70
1K063P	63	25	100	3,90
<b>TWIN BRACKET WITH CLIP</b>				
2K020P	2x20	50	400	6,00
2K025P	2x25	50	400	5,70
<b>BRACKET</b>				
10008P	8,5	50	2000	2,10
10016P	16	50	1000	7,00
10020P	20	50	500/1000	3,75/7,70
10025P	25	50	500	4,80
10032P	32	50	500	6,30
<b>TWIN BRACKET</b>				
20016P	2x16	50	800	12,20
20020P	2x20	50	600	10,50
20025P	2x25	50	400	9,20
20032P	2x32	50	400	8,70
<b>BRACKET WITH SHACKLE</b>				
1T020P	20	50	500	6,00
1T025P	25	50	500	6,90
1T032P	32	50	500	6,80
1T040P	40	50	500	9,20
1T050P	50	25	100/200	3,80/7,30
1T063P	63	25	100	5,00
1T075P	75	1	50/100	4,40/8,60
1T090P	90	1	50	6,20
1T110P	110	1	20/30	2,70/4,30
K075	protection ring D75	10	100	1,99
<b>BRACKET WITH SHACKLE AND METAL NUT M6-Z</b>				
Z1T016P	16	50	1000	7,40
Z1T020P	20	50	500	8,70
Z1T025P	25	50	500	11,50
Z1T032P	32	50	500	14,50
<b>TWIN BRACKET WITH SHACKLE</b>				
20032PT	2x32	50	300	6,00
<b>LOW BRACKET</b>				
D20N	20	50	1000	5,14
D25N	25	50	1000	6,03

## Brackets for plastic pipes



Part number	A [mm]	B [mm]	C [mm]	D [mm]	E [mm]
<b>BRACKET WITH CLIP</b>					
1K020P	36,9	38,7	15,6	25,1	
1K025P	43	44,7	15,6	27,7	
1K032P	52,8	51,8	16	30,4	
1K040P	63,1	62,3	16	35,7	
1K050P	77,7	74	19	40,3	
1K063P	94,7	92,7	19	51	
<b>TWIN BRACKET WITH CLIP</b>					
2K020P	70,9	38,5	15,7	25,2	42,8
2K025P	88,5	44,7	15,9	27,8	54,5
<b>BRACKET</b>					
10008P	24,5	22,5	15,7	16,95	
10016P	33,7	29,9	15,7	24,2	
10020P	38,1	32,8	15,8	25,7	
10025P	42,6	38,3	15,8	27,9	
10032P	49,4	43,6	15,7	31,6	
<b>TWIN BRACKET</b>					
20016P	65,3	30,2	15,9	24,2	40,4
20020P	70,5	34,8	15,9	25,5	43,4
20025P	89	40	15,8	27,8	54,7
20032P	106,4	44,3	16	31,9	63,2
<b>BRACKET WITH SHACKLE</b>					
1T020P	45,2	43,2	15,9	25,5	
1T025P	52,2	49,2	15,8	28,1	
1T032P	52,5	54,7	15,8	31,8	
1T040P	63,4	63,6	15,8	36,6	
1T050P	80,2	77	18,7	40,4	
1T063P	96,3	91	18,9	46,6	
1T075P	120,1	90,6	24,1	62,5	
1T090P	138,7	129,3	24,2	68,3	
1T110P	164	149,2	24	78,3	
K075	protection ring D75	10	100	1,99	
<b>BRACKET WITH SHACKLE AND METAL NUT M6-Z</b>					
Z1T016P	33,7	38	15,7	24,2	
Z1T020P	45,2	43,2	15,9	25,5	
Z1T025P	52,2	49,2	15,8	28,1	
Z1T032P	52,5	54,7	15,8	31,8	
<b>TWIN BRACKET WITH SHACKLE</b>					
20032PT	110,8	53,4	16	31,8	63,1
<b>LOW BRACKET</b>					
D20N	28,1	25,4	14,1	15,8	
D25N	32,8	29,2	14,1	17,9	

## Brackets for copper pipes



Part number	Dimension [mm]	Pieces per bag	Pieces per box	Packaging weight [kg]
<b>BRACKET WITH CLIP</b>				
1K015B	15	50	1000	4,20
1K018B	18	50	500	3,10
1K022B	22	50	500	3,70
1K028B	28	50	500	5,50



<b>BRACKET WITH CLIP AND METAL NUT M6-Z</b>				
Z1K015B	15	50	1000	6,10
Z1K018B	18	50	500	4,50
Z1K022B	22	50	500	5,10
Z1K028B	28	50	500	6,90



<b>TWIN BRACKET WITH CLIP</b>				
2K015B	2x15	50	500	5,30
2K018B	2x18	50	500	5,80
2K022B	2x22	50	400	5,40
2K028B	2x28	50	250	4,40



<b>TWIN BRACKET WITH CLIP AND METAL NUT M6-Z</b>				
Z2K015B	2x15	50	500	6,70
Z2K018B	2x18	50	500	7,20
Z2K022B	2x22	50	400	6,30
Z2K028B	2x28	50	250	5,00



<b>BRACKET</b>				
10010Cu	10	50	2000	9,00
10012Cu	12	50	1000	5,40
10015Cu	15	50	1000	5,40
10018Cu	18	50	1000	6,80
10022Cu	22	50	1000	7,70

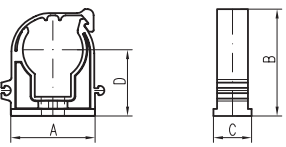
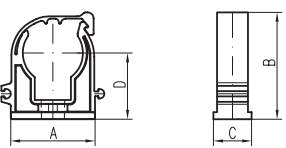
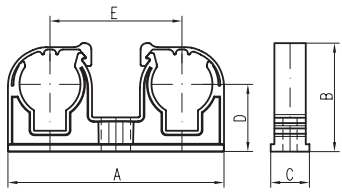
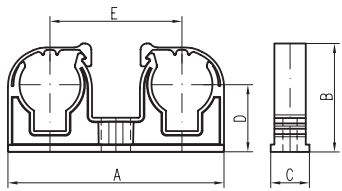
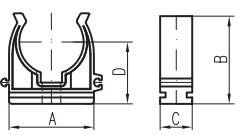
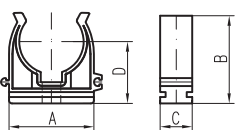
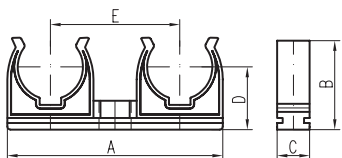


<b>BRACKET WITH METAL NUT M6-Z</b>				
Z10012Cu	12	50	1000	7,10
Z10015Cu	15	50	1000	8,20
Z10018Cu	18	50	1000	9,50
Z10022Cu	22	50	1000	10,40



<b>TWIN BRACKET</b>				
20012Cu	2x12	50	500	5,30
20015Cu	2x15	50	800	9,40
20018Cu	2x18	50	400	6,00
20022Cu	2x22	50	500	8,60

## Brackets for copper pipes

	Part number	A [mm]	B [mm]	C [mm]	D [mm]	E [mm]
	<b>BRACKET WITH CLIP</b>					
	1K015B	28,9	30,8	15,7	20,8	
	1K018B	32,2	34,5	15,8	22,2	
	1K022B	37,4	39,7	15,7	25	
	1K028B	45,5	46,5	15,7	28	
	<b>BRACKET WITH CLIP AND METAL NUT M6-Z</b>					
	Z1K015B	28,9	30,8	15,7	20,8	
	Z1K018B	32,2	34,5	15,8	22,2	
	Z1K022B	37,4	39,7	15,7	25	
	Z1K028B	45,5	46,5	15,7	28	
	<b>TWIN BRACKET WITH CLIP</b>					
	2K015B	56	30,9	15,7	20,5	34,8
	2K018B	65,4	34,4	15,7	22,2	40
	2K022B	75,5	42,2	15,7	27,4	45
	2K028B	91,4	46,4	15,6	27,7	52,7
	<b>TWIN BRACKET WITH CLIP AND METAL NUT M6-Z</b>					
	Z2K015B	56	30,9	15,7	20,5	34,8
	Z2K018B	65,4	34,4	15,7	22,2	40
	Z2K022B	75,5	42,2	15,7	27,4	45
	Z2K028B	91,4	46,4	15,6	27,7	52,7
	<b>BRACKET</b>					
	10010Cu	24,5	23,5	15,8	17,8	
	10012Cu	28,2	28,5	15,7	19,9	
	10015Cu	29,8	30,3	15,7	20,6	
	10018Cu	33,6	31,5	15,8	22,3	
	10022Cu	38,7	35	15,7	24,7	
	<b>BRACKET WITH METAL NUT M6-Z</b>					
	Z10012Cu	28,2	28,5	15,7	19,9	
	Z10015Cu	29,8	30,3	15,7	20,6	
	Z10018Cu	33,6	31,5	15,8	22,3	
	Z10022Cu	38,7	35	15,7	23,9	
	<b>TWIN BRACKET</b>					
	20012Cu	51,6	28,8	15,8	21,1	33,1
	20015Cu	58,1	32,2	15,8	22,7	35,9
	20018Cu	67,2	33,9	15,8	24,2	40,9
	20022Cu	75,6	39,7	15,8	26,2	44,9

## Brackets for copper pipes



Part number	Dimension [mm]	Pieces per bag	Pieces per box	Packaging weight [kg]
<b>TWIN BRACKET WITH METAL NUT M6-Z</b>				
Z20012Cu	2x12	50	500	6,80
Z20015Cu	2x15	50	800	11,50
Z20018Cu	2x18	50	400	7,00
Z20022Cu	2x22	50	600	11,60



<b>BRACKET WITH SHACKLE</b>				
1T028Cu	28	50	500	5,70
1T035Cu	35	50	500	7,20



<b>BRACKET WITH SHACKLE AND METAL NUT M6-Z</b>				
Z1T028Cu	28	50	500	7,30
Z1T035Cu	35	50	500	8,40



<b>TWIN BRACKET WITH SHACKLE</b>				
20028CuT	2x28	50	300	8,00



<b>TWIN BRACKET WITH SHACKLE AND METAL NUT M6-Z</b>				
Z20028CuT	2x28	50	300	9,20

## Brackets for aluminium plastic pipes

The brackets are used to fix aluminium plastic pipes. They allow pipes to be easily installed and uninstalled, with space left for pipe dilation. They are made with an over hole (option with no shackle). Made from polypropylene, with heat resistance up to 90 °C.

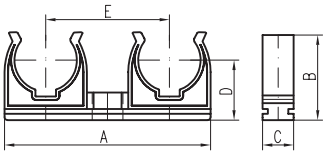
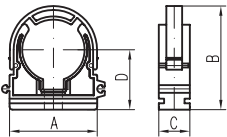
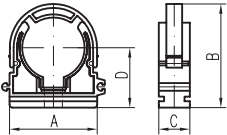
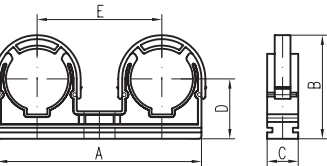
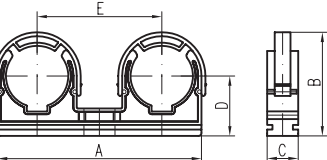


Part number	Dimension [mm]	Pieces per bag	Pieces per box	Packaging weight [kg]
<b>BRACKET FOR ALUMINIUM PLASTIC PIPES</b>				
10016B	16	50	1000	7,00
10020B	20	50	1000	7,70
10025B	25/26	50	500	4,80

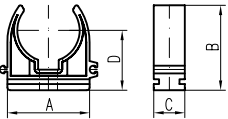
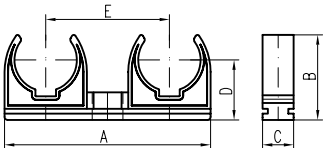


<b>TWIN BRACKET FOR ALUMINIUM PLASTIC PIPES</b>				
20016B	2x16	50	800	12,20
20020B	2x20	50	600	10,50
20025B	2x25/26	50	400	9,20

## Brackets for copper pipes

	Part number	A [mm]	B [mm]	C [mm]	D [mm]	E [mm]
	<b>TWIN BRACKET WITH METAL NUT M6-Z</b>					
	Z20012Cu	51,6	28,8	15,8	21,1	33,1
	Z20015Cu	58,1	32,2	15,8	22,7	35,9
	Z20018Cu	67,2	33,9	15,8	24,2	40,9
	Z20022Cu	75,6	39,7	15,8	26,2	44,9
	<b>BRACKET WITH SHACKLE</b>					
	1T028Cu	48	52,5	15,8	29,3	
	1T035Cu	57	55,1	15,8	31	
	<b>BRACKET WITH SHACKLE AND METAL NUT M6-Z</b>					
	Z1T028Cu	48	52,5	15,8	29,3	
	Z1T035Cu	57	55,1	15,8	31	
	<b>TWIN BRACKET WITH SHACKLE</b>					
20028CuT	104,3	51,8	15,8	29,5	60,1	
	<b>TWIN BRACKET WITH SHACKLE AND METAL NUT M6-Z</b>					
Z20028CuT	104,3	51,8	15,8	29,5	60,1	

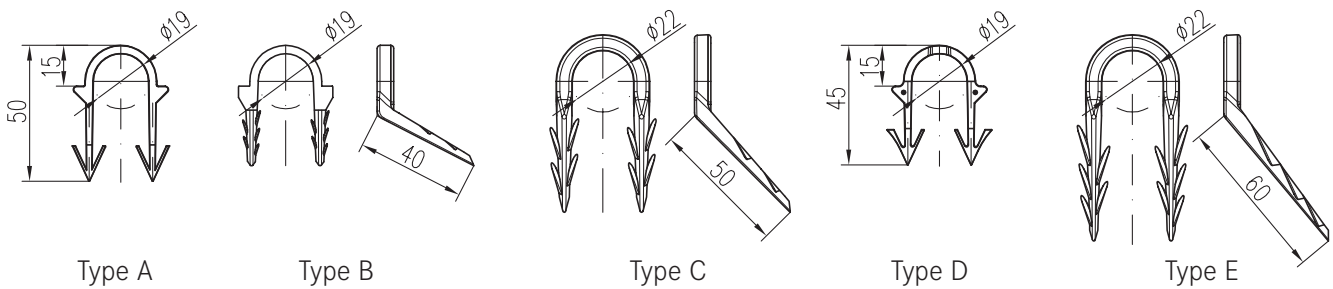
## Brackets for aluminium plastic pipes

	Part number	A [mm]	B [mm]	C [mm]	D [mm]	E [mm]
	<b>BRACKET FOR ALUMINIUM PLASTIC PIPES</b>					
	10016B	33,7	29,9	15,7	24,2	33,1
	10020B	38,1	32,8	15,8	25,7	35,9
	10025B	42,6	38,3	15,8	27,9	40,9
	<b>TWIN BRACKET FOR ALUMINIUM PLASTIC PIPES</b>					
	20016B	65,3	30,2	15,9	24,2	40,4
	20020B	70,5	34,8	15,9	24,2	43,4
	20025B	89	40	15,9	25,5	53,7

## Floor brackets for D 14-22 mm

The floor brackets are used to fix floor heating pipes in their place. Bracket types A, B, C and E are applied manually only. A stapler must be used to apply type D. A stapler is not suggested for other bracket types.

Part number	Pieces per bag	Pieces per box	Weight [kg/box]
A 303	50	1000/2500	7,00
B 304	50	1000/2000	5,30
C 312	50	1000	4,40
D 305	200	2000	4,68
E 306	50	1000	4,60



## Stapler (Tacker) – to apply floor brackets of type D

Part number	Pieces	Weight [kg/pc]
TAC 1	1	2,00

## Insulation staple

Part number	Name	Pieces per bag	Pieces per box	Weight [kg/box]
301 S	light	100	10000	3,10
301 T	dark	100	10000	3,10



**FLOOR BRACKETS**

Type A / Type B/Type C/Type E/Type D



**INSULATION STAPLE**

dark / light

**STAPLER**  
to apply floor brackets  
of type D





## Hammer-in plastic dowels

They were designed to allow a fast and easy installation and assembly of pipes, cable tracts, protection tubing, and similar. They are installed through drilled holes D 8 mm using a hammer. Made from PA, with heat resistance up to 130 °C.

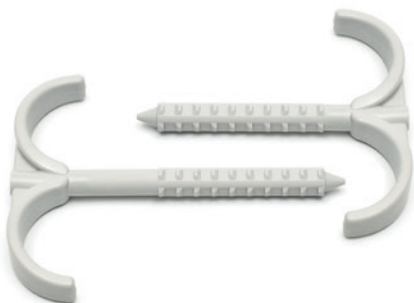
Part number	Diameter [mm]	Pieces per bag	Pieces per box	Weight [kg/box]
N 1032 8/75	8	50	500	2,98
N 1032 8/95	8	50	500	3,50
N 1025 8/75	8	50	1000	2,24
N 1025 8/95	8	50	500	2,64
N 2032 8/75	8	50	500	4,02
N 2032 8/95	8	50	500	4,60
N 2025 8/75	8	50	1000	2,68
N 2025 8/95	8	50	500	3,18



N 1032 8/75 • N 1032 8/95



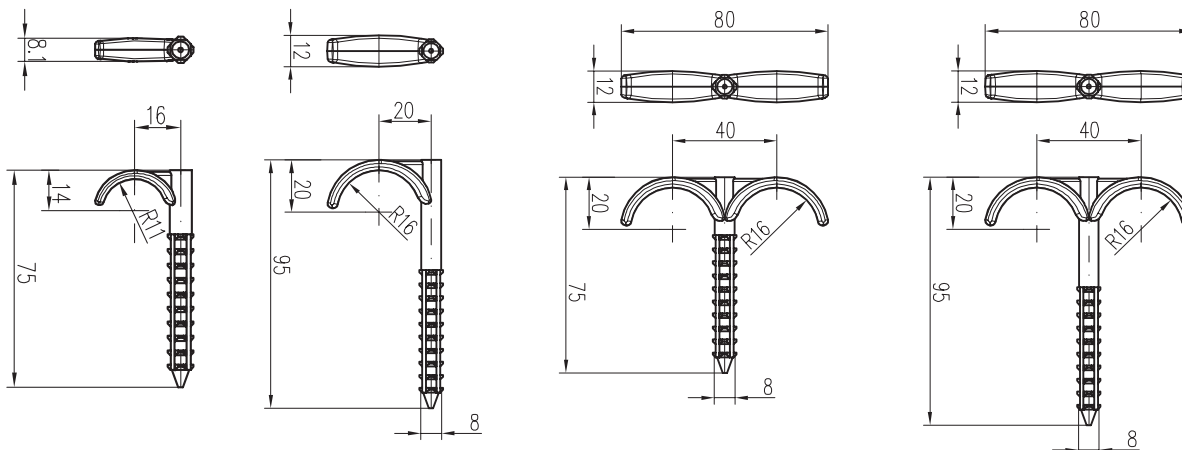
N 1025 8/75 • N 1025 8/95



N 2032 8/75 • N 2032 8/95



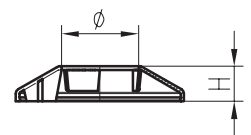
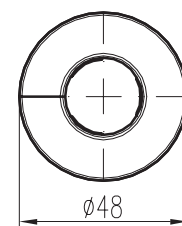
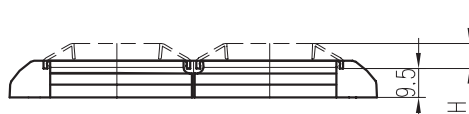
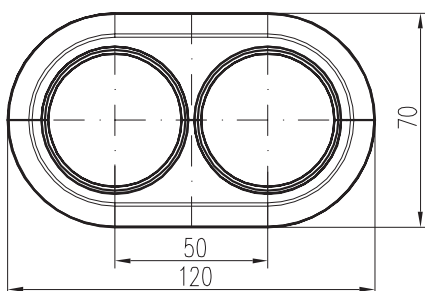
N 2025 8/75 • N 2025 8/95



## Pipe trims (rosettes) D 12-28 mm

Segmented pipe caps are used to cover pipe passages in floors and walls. This comprehensive size range allows to use caps for pipe sizes from D 12 to D 28 mm. The KB / KCH frame is used to install two pipe caps; the cap frame is segmented.

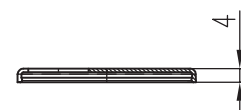
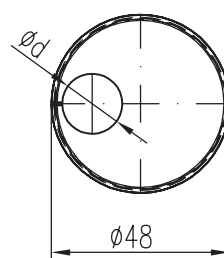
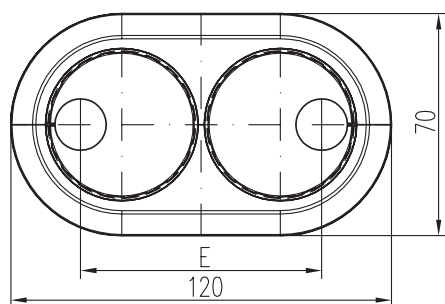
Part number	Diameter [mm]	H [mm]	Pieces per bag	Pieces per box
<b>SINGLE TRIM, WHITE</b>				
KB 1012	12	13	20	1000
KB 1015	15	12	20	1000
KB 1016	16	11,7	20	1000
KB 1018	18	11,1	20	1000
KB 1020	20	10,6	20	1000
KB 1022	22	10	20	1000
KB 1025	25-26	9,1	20	1000
KB 1028	28	8,2	20	1000
<b>SINGLE TRIM, CHROME-PLATED</b>				
KCH 1012	12	13	20	1000
KCH 1015	15	12	20	1000
KCH 1016	16	11,7	20	1000
KCH 1018	18	11,1	20	1000
KCH 1020	20	10,6	20	1000
KCH 1022	22	10	20	1000
KCH 1025	25-26	9,1	20	1000
KCH 1028	28	8,2	20	1000
<b>TWIN TRIM FRAME, WHITE</b>				
KB 2000	-	-	10	200
<b>TWIN TRIM FRAME, CHROME-PLATED</b>				
KCH 2000	-	-	10	200



## Eccentric pipe trims (rosettes)

The eccentric segmented caps are used to cover pipe passages in floors and walls where no standard distance is adhered to. The eccentric caps allow to adjust the pipe size to installation needs, using the table below. This comprehensive size range from 15 - 22 mm. The KB / KCH frame is used to install two pipe caps; the cap frame is segmented.

Part number	Diameter [mm]	E <sub>MIN</sub> [mm]	E <sub>MAX</sub> [mm]	Pieces per bag	Pieces per box
<b>ECCENTRIC TRIM, WHITE D15-22MM</b>					
KB E015	15	23	77	20	1000
KB E016	16	24	76	20	1000
KB E018	18	26	74	20	1000
KB E020	20	28	72	20	1000
KB E022	22	30	70	20	1000
<b>ECCENTRIC TRIM, CHROME-PLATED</b>					
KCH E015	15	23	77	20	1000
KCH E016	16	24	76	20	1000
KCH E018	18	26	74	20	1000
KCH E020	20	28	72	20	1000
KCH E022	22	30	70	20	1000
<b>TWIN TRIM FRAME, WHITE</b>					
KB 2000	-	-	-	10	200
<b>TWIN TRIM FRAME, CHROME-PLATED</b>					
KCH 2000	-	-	-	10	200



## Pipe sleeves

The pipe sleeves are used to cover drainage pipes in diameters of 40/50/90/110 mm.

Part number	Diameter [mm]	Packaging [pcs]	Weight [kg/package]
CH 067 40	40	5	0,05
CH 067 50	50	5	0,06
CH 067 90	90	5	0,35
CH 067 110	110	5	0,30



40 [mm]



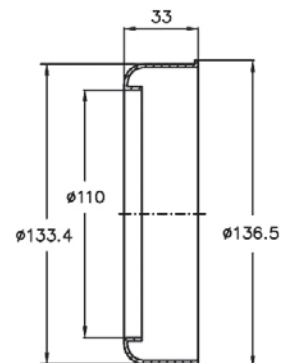
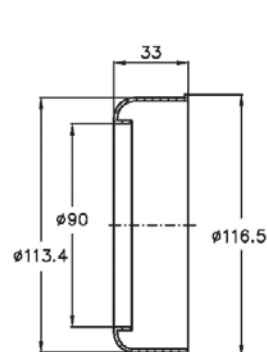
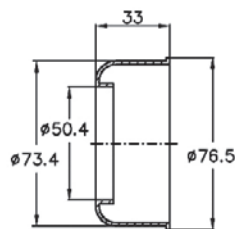
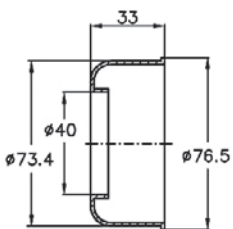
50 [mm]



90 [mm]



110 [mm]



## Screw dowel pins

The screw dowel pins consist of a dowel with a pre-installed hammer-in screw from zinc plated steel. The hammer-in dowel has a cylindrical head and a pre-installed hammer-in screw with an outside metric thread.

Part number	Size (mm)	Pieces per bag	Weight [kg]
306	6 x 60	50	0,272
307	6 x 80	50	0,338
308	8 x 80	50	0,626
309	8 x 100	50	0,754
325	6 x 40 M6	100	0,520

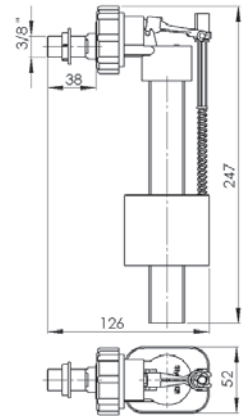




SANITARY ASSORTMENT

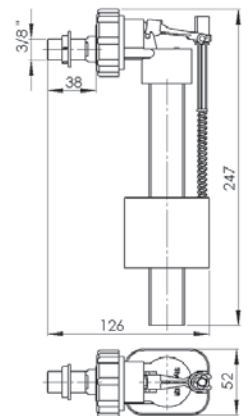
SIDE REFILLING VALVE FOR TOILET INSTALLATIONS, LONG THREAD, UNIVERSAL 3/8" WITH REDUCTION TO 1/2"

Part number	Pieces per package	Weight/pc [kg]
CH 703 M	10	0,15



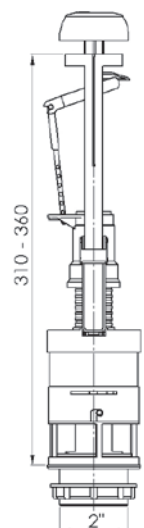
SIDE REFILLING VALVE FOR TOILET INSTALLATIONS, METAL THREAD, UNIVERSAL 3/8" WITH REDUCTION TO 1/2"

Part number	Pieces per package	Weight/pc [kg]
CH 703 R	10	0,16



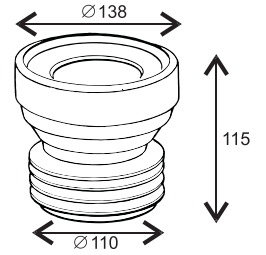
TOILET DISCHARGE VALVE FOR COMBINED RESERVOIRS, CHROME-COATED ROSETTE, SINGLE-BUTTON/TWIN-BUTTON

Part number	Type	Pcs per package	Weight/pc [kg]
CH 721	single button	10	0,40
CH 722	twin button	10	0,40



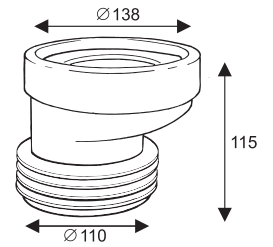
## TOILET COLLAR, SHORT, STRAIGHT

Part number	Pieces per package	Weight/pc [kg]
CH 530 E	10	0,24



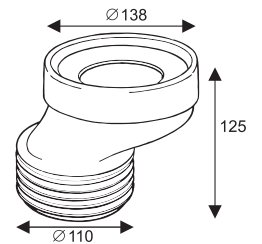
## TOILET COLLAR, SHORT, ECCENTRIC PIECE 20MM

Part number	Pieces per package	Weight/pc [kg]
CH 530 20	10	0,24



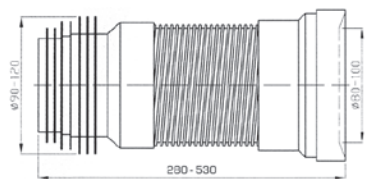
## TOILET COLLAR, SHORT, ECCENTRIC PIECE 40MM

Part number	Pieces per package	Weight/pc [kg]
CH 530 40	10	0,25



## FLEXIBLE TOILET COLLAR 280 – 530 MM

Part number	Pieces per package	Weight/pc [kg]
CH 530 F	5	0,49



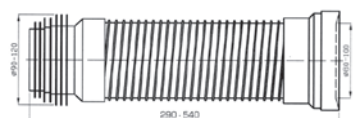
## FLEXIBLE TOILET COLLAR 240 – 380 MM

Part number	Pieces per package	Weight/pc [kg]
CH 530 G	5	0,49



## FLEXIBLE TOILET COLLAR, LONG, 290 – 540 MM

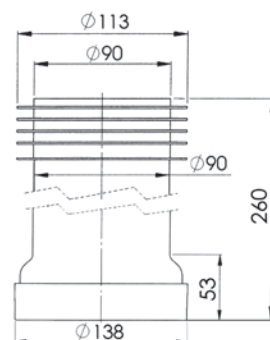
Part number	Pieces per package	Weight/pc [kg]
CH 530 GL	5	0,60





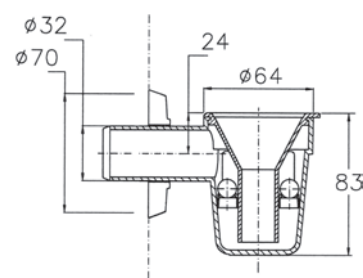
TOILET COLLAR, LONG, STRAIGHT 90MM

Part number	Pieces per package	Weight/pc [kg]
CH 530 90 E H	5	0,33



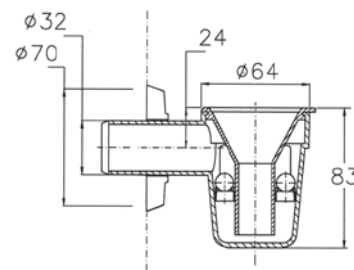
DRAINING TANK WITH A TWIN ANTI-ODOUR CLOSING AND ROSETTE, WHITE

Part number	Pieces per package	Weight/pc [kg]
CH 517 1	20	0,10



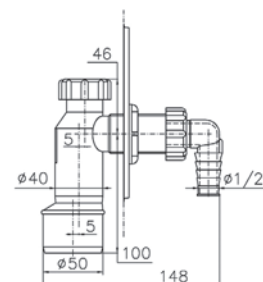
DRAINING TANK WITH A TWIN ANTI-ODOUR CLOSING AND A ROSETTE, CHROME

Part number	Pieces per package	Weight/pc [kg]
CH 517 1 K	20	0,10



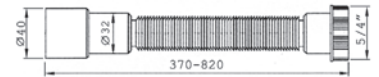
WASHER SIPHON, UNDER-PLASTER, CHROME PLATED

Part number	Pieces per package	Weight/pc [kg]
CH 510 K	15	0,36



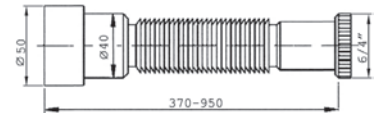
## FLEXIBLE CONNECTION 5/4" – 32/40MM

Part number	Pieces per package	Weight/pc [kg]
CH 616	10	0,09



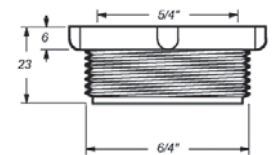
## FLEXIBLE CONNECTION 6/4" – 40/50MM

Part number	Pieces per package	Weight/pc [kg]
CH 617	10	0,12



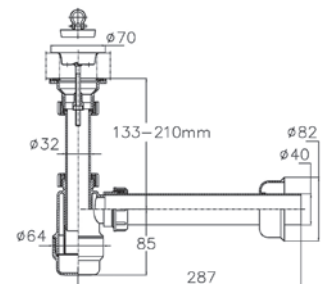
## REDUCTION PIECE 5/4" – 6/4" FEMALE/MALE THREAD

Part number	Pieces per package	Weight/pc [kg]
CH 516 2	5	0,013



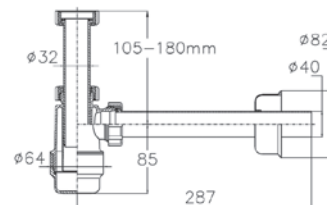
## WASHBOWL SIPHON WITH A DISCHARGE VALVE 70MM, OUTLET 40MM

Part number	Pieces per package	Weight/pc [kg]
CH 531	10	0,33



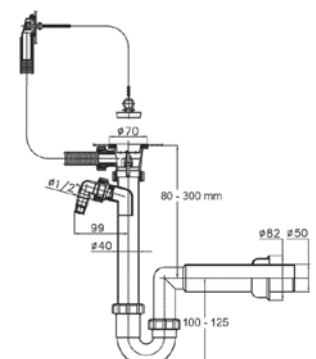
## WASHBOWL SIPHON WITH A CAP NUT 5/4", OUTLET 40MM

Part number	Pieces per package	Weight/pc [kg]
CH 531 3	10	0,28



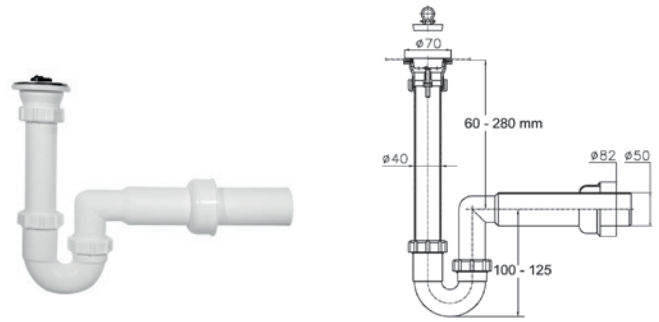
## SINK PIPE SIPHON, WITH A DISCHARGE VALVE, OVERFLOW AND CONNECTION FOR A WASHING MACHINE/DISHWASHER, OUTLET 50MM

Part number	Pieces per package	Weight/pc [kg]
CH 638 50 1	1	0,46



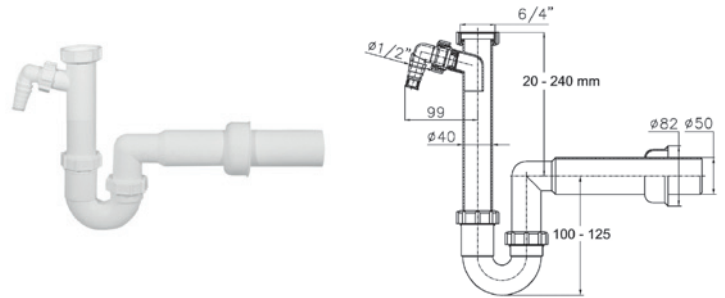
SINK PIPE SIPHON WITH A DISCHARGE VALVE, OUTLET 50MM

Part number	Pieces per package	Weight/pc [kg]
CH 638 50 2	10	0,35



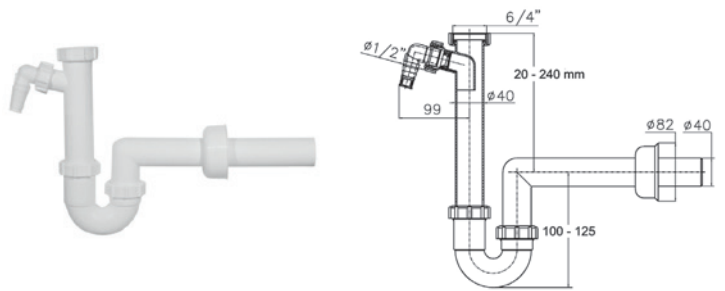
SINK PIPE SIPHON, WITHOUT A DISCHARGE VALVE, WITH A CONNECTION FOR A WASHING MACHINE / DISHWASHER, OUTLET 50MM

Part number	Pieces per package	Weight/pc [kg]
CH 638 50 4	10	0,29



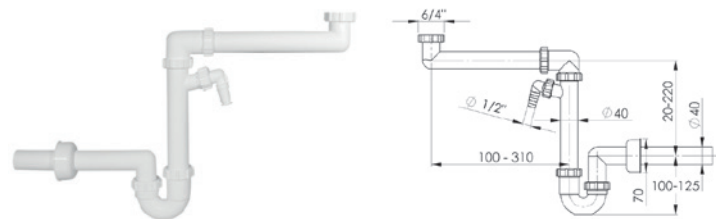
SINK PIPE SIPHON, WITHOUT A DISCHARGE VALVE, WITH A CONNECTION FOR A WASHING MACHINE / DISHWASHER, OUTLET 40MM

Part number	Pieces per package	Weight/pc [kg]
CH 638 4	10	0,28



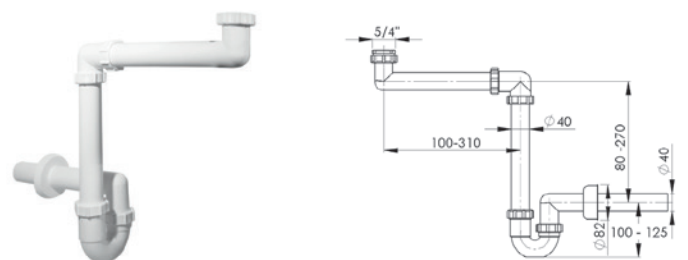
SINK PIPE SIPHON, SPACE-SAVING, WITH A CONNECTION FOR A WASHING MACHINE / DISHWASHER, OUTLET 40MM

Part number	Pieces per package	Weight/pc [kg]
CH 641	5	0,45



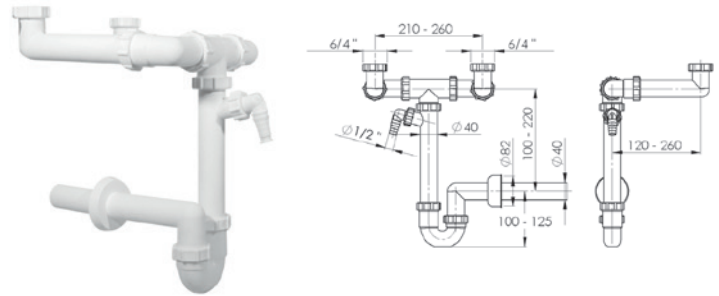
WASHBOWL / SINK PIPE SIPHON, SPACE-SAVING, WITH REDUCTION 5/4" OUTLET 40MM

Part number	Pieces per package	Weight/pc [kg]
CH 641 2	5	0,43



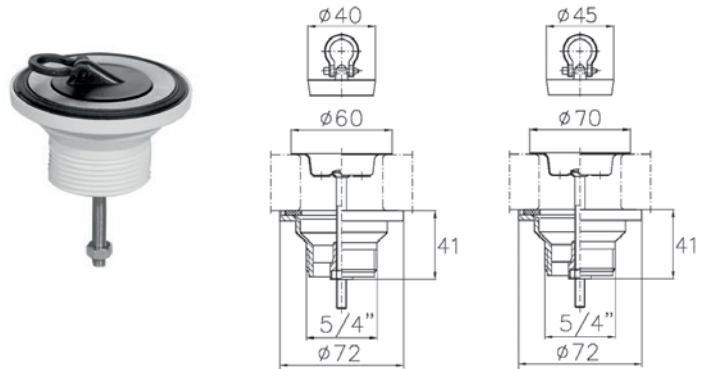
## TWIN-SINK SIPHON, SPACE-SAVING, WITH A CONNECTION FOR A WASHING MACHINE/DISHWASHER - A

Part number	Pieces per package	Weight/pc [kg]
CH 642	1	0,61



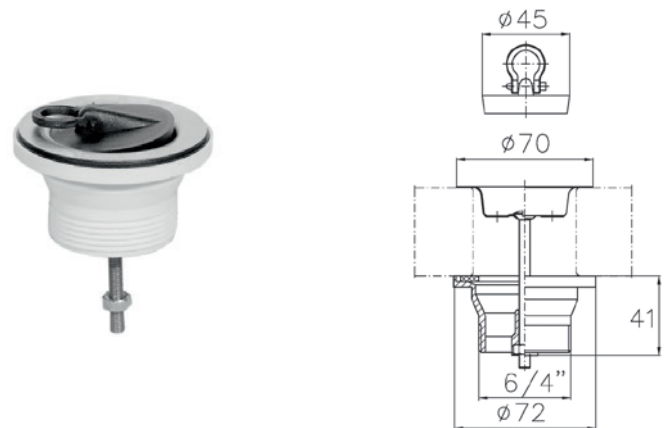
## WASHBOWL DISCHARGE VALVE WITH A PLUG, STAINLESS STEEL GRID 60/70MM AND SCREW M6 X 70

Part number	Diameter	Pcs per package	Weight/pc [kg]
CH 542	60 mm	20	0,07



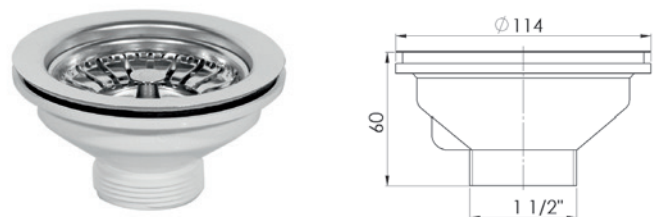
## WASHBOWL DISCHARGE VALVE WITH A PLUG, STAINLESS STEEL GRID 70MM AND SCREW M6 X 50/70

Part number	Diameter	Pcs per package	Weight/pc [kg]
CH 543	M6 x 50	20	0,07



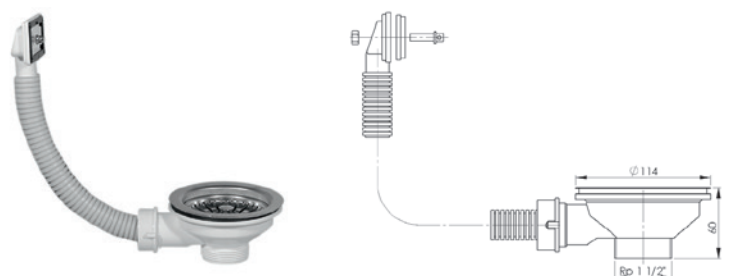
## SINK DISCHARGE VALVE, STAINLESS STEEL, 114MM

Part number	Pieces per package	Weight/pc [kg]
CH 654	10	0,20



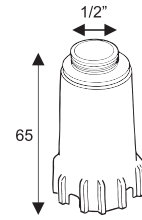
## SINK DISCHARGE VALVE, STAINLESS STEEL, 114MM, ANGULAR OVERFLOW

Part number	Pieces per package	Weight/pc [kg]
CH 655	5	0,25



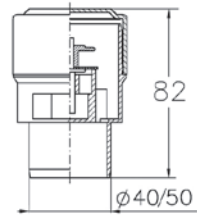
PRESSURE PLUG 1/2" BLUE/RED

Part number	Diameter	Pcs per package	Weight/pc [kg]
CH 523 1 A	blue	10	0,02
CH 523 1 B	red	10	0,02



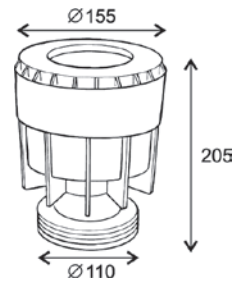
AIR ADMITTANCE VALVE 40/50MM

Part number	Diameter	Pcs per package	Weight/pc [kg]
CH 040	40 mm	10	0,06
CH 050	50 mm	10	0,07



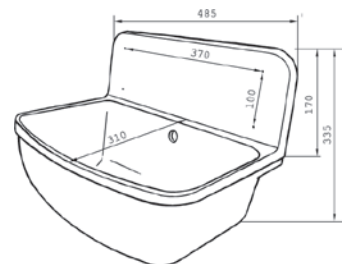
AIR ADMITTANCE VALVE 90/110 MM

Part number	Pcs per package	Weight/pc [kg]
CH 110	1	0,58



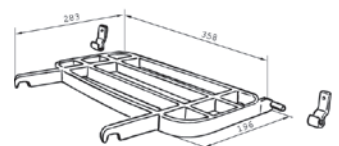
PLASTIC SINK – A SET INCLUDING SYPHON

Part number	Pieces per package	Weight/pc [kg]
CH 350	1	2,2



GRILL FOR PLASTIC SINK,  
LOADING CAPACITY 15 KG

Part number	Pieces per package	Weight/pc [kg]
CH 350 1	1	0,39

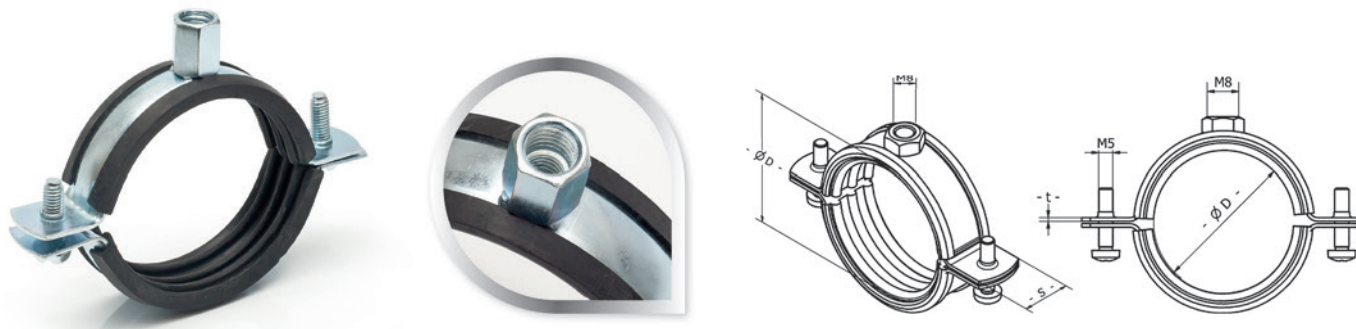




FASTENERS

## Two screws pipe clamp

Two screws pipe clamp with a connection nut M8 and a connection combined nut M8/M10. Zinc plated, EPDM rubber. The clamps are used for fixing steel, cast-iron and plastic pipes.



Part number	Type	Range [mm]	Pipe diameter	Nut	Bolt	S [mm]	t [mm]	Packaging [ks]	Weight [kg/100 pcs]
CH 201719	Two screws pipe clamp 17–19 mm 3/8"	17–19	3/8"	M8	M5 × 20	20	1,25	100	4,60
CH 202023	Two screws pipe clamp 20–23 mm 1/2"	20–23	1/2"	M8	M5 × 20	20	1,25	100	5,40
CH 202530	Two screws pipe clamp 25–30 mm 3/4"	25–30	3/4"	M8	M5 × 20	20	1,25	100	5,50
CH 203138	Two screws pipe clamp 31–38 mm 1"	31–38	1"	M8	M5 × 20	20	1,25	100	6,20
CH 204046	Two screws pipe clamp 40–46 mm 5/4"	40–46	5/4" (1 1/4")	M8	M5 × 20	20	1,25	100	7,50
CH 204853	Two screws pipe clamp 48–53 mm 6/4"	48–53	6/4" (1 1/2")	M8	M5 × 20	20	1,25	50	8,00
CH 206064	Two screws pipe clamp 60–64 mm 2"	60–64	2"	M8/M10	M6 × 20	20	1,50	50	9,40
CH 207278	Two screws pipe clamp 72–78 mm 2 1/2"	72–78	2 1/2"	M8/M10	M6 × 20	25	1,50	50	15,00
CH 208792	Two screws pipe clamp 87–92 mm 3"	87–92	3"	M8/M10	M6 × 25	25	1,50	50	18,00
CH 2102116	Two screws pipe clamp 102–116 mm 4"	102–116	4"	M8/M10	M6 × 30	25	2,00	50	23,10
CH 2121127	Two screws pipe clamp 121–127 mm	121–127		M8/M10	M8 × 30	25	2,50	25	34,00
CH 2133141	Two screws pipe clamp 133–141 mm 5"	133–141	5"	M8/M10	M8 × 30	25	2,50	25	37,40
CH 2159168	Two screws pipe clamp 159–168 mm 6"	159–168	6"	M8/M10	M8 × 35	25	2,50	25	41,20
CH 2204210	Two screws pipe clamp 204–210 mm 8"	204–210	8"	M8/M10	M8 × 30	25	2,50	12	49,70

## Bolt-wood srew kombi (torx)



Part number	Type	Packaging [ks]	Weight [kg/package]
51008050	Bolt-wood screw KOMBI (torx) M8 x 50 mm	100	1,09
51008060	Bolt-wood screw KOMBI (torx) M8 x 60 mm	100	1,35
51008070	Bolt-wood screw KOMBI (torx) M8 x 70 mm	100	1,68
51008080	Bolt-wood screw KOMBI (torx) M8 x 80 mm	100	1,90
51008100	Bolt-wood screw KOMBI (torx) M8 x 100 mm	100	2,40
51008120	Bolt-wood screw KOMBI (torx) M8 x 120 mm	100	3,01
51008140	Bolt-wood screw KOMBI (torx) M8 x 140 mm	100	3,70
51008160	Bolt-wood screw KOMBI (torx) M8 x 160 mm	100	4,20
51010100	Bolt-wood screw KOMBI (torx) M10 x 100 mm	100	3,92
51010120	Bolt-wood screw KOMBI (torx) M10 x 120 mm	100	4,88
51010140	Bolt-wood screw KOMBI (torx) M10 x 140 mm	100	5,88

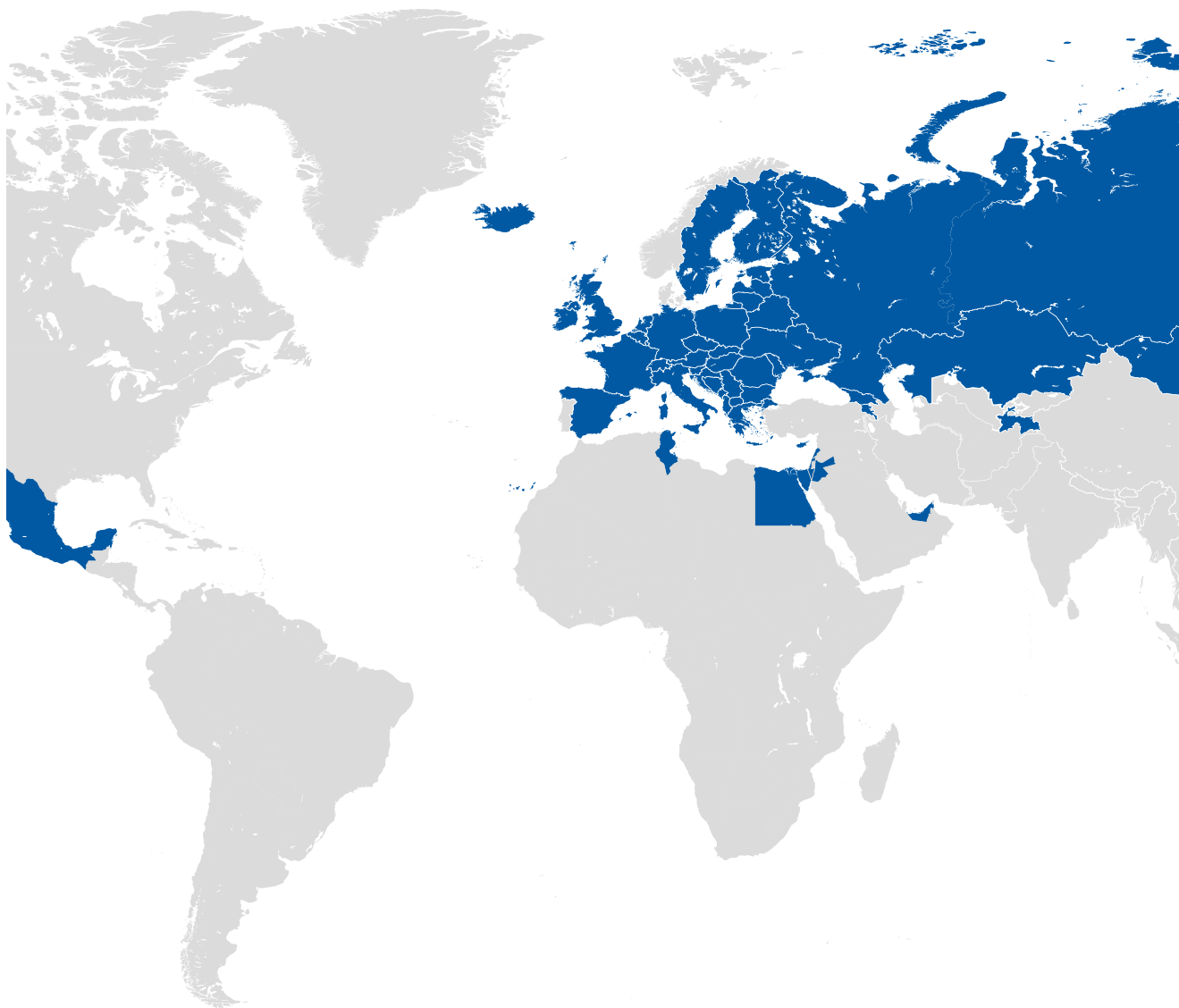


Production area









## COMPANY MANAGEMENT

### Company owner:

Miroslav Chuděj  
Phone: +420 571 757 730  
vyroba@chudej.cz

### Export director:

Ing. Karel Hák  
Phone: +420 723 126 125  
export@chudej.cz

### Assistant of export director:

Ing. Vendula Kubrická  
Phone: +420 602 537 929  
Phone: +420 571 757 745  
info@chudej.cz

### Manager for Western Balkan:

Bekim Hasani  
Phone: +386 (0) 49 112 080  
hasani@chudej.cz

### Production manager:

Pavel Štreichl  
Phone: +420 571 757 740  
Fax.: +420 571 757 737  
streichl@chudej.cz

### Financial department:

Alena Randýsková  
Phone: +420 571 757 734  
randyskova@chudej.cz



## Chuděj s.r.o.

---

HUTISKO-SOLANEC 310  
756 62 CZECH REPUBLIC  
PHONE: + 420 723 126 125  
PHONE: + 420 571 757 745  
FAX: + 420 571 757 737  
[export@chudej.cz](mailto:export@chudej.cz)



[www.chudej.cz](http://www.chudej.cz)